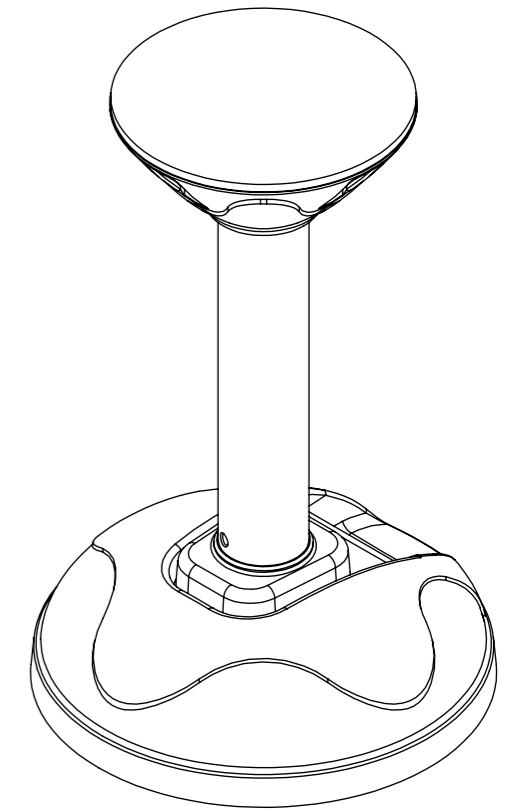
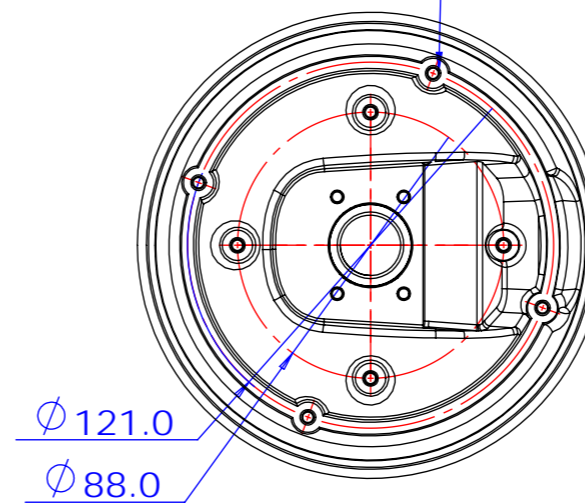


8-TAP M4.0xP0.7



5436 W. Crenshaw Street
Tampa, FL 33634
Toll Free: 866.446.3595
Fax: 813.888.9262
www.Digital-Watchdog.com

DESCRIPTION

DWC-P10CM

PENDANT MOUNT BRACKET FOR PTZ10X