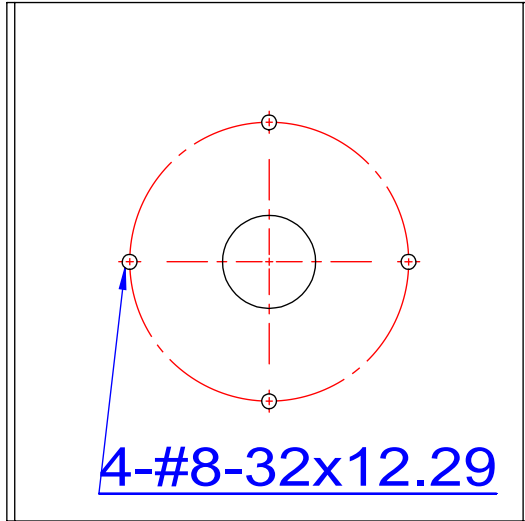
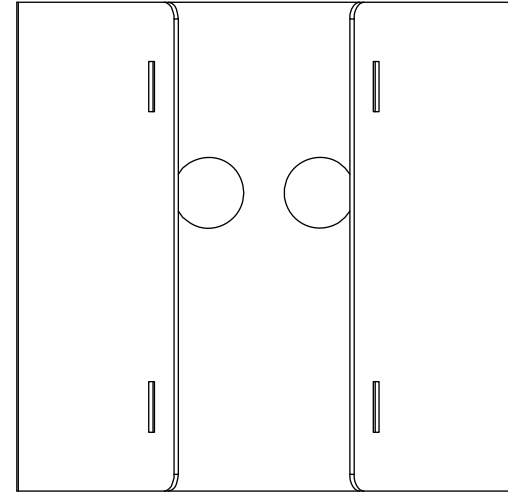


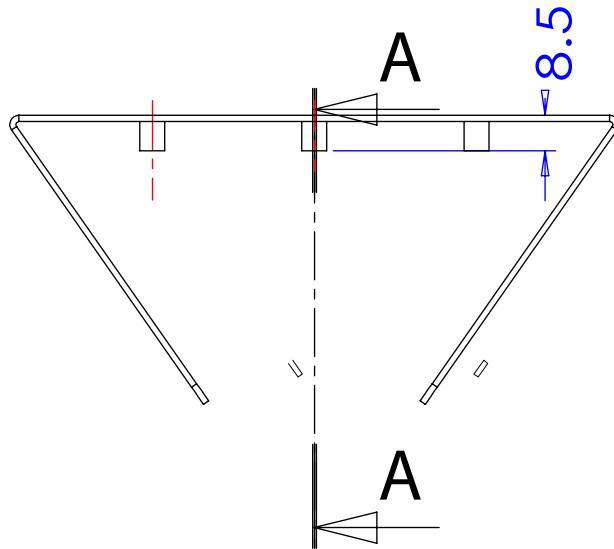
Ø 78.0



145.0



305.0°



| UNIT | SCALE | WEIGHT  | MODEL  |
|------|-------|---------|--|
| mm   |       | 1.151bs |  |
|      |       |         | <b>DWC-PMB-BU</b><br>Pole Mount for<br>B1, B2 & B4 Housing |