

High Resolution Bullet Camera

DWC-B1362TIR650



ABOUT MANUAL

Before installing and using the camera, please read this manual carefully. Be sure to keep it handy for future reference.

PRECAUTIONS

- Do not open or modify.
- Do not open the case except during maintenance and installation, for it may be dangerous and can cause damages.
- Do not put objects into the unit.
- Keep metal objects and flammable substances from entering the camera. It can cause fire, short-circuits, or other damages.
- Be careful when handling the unit.
- To prevent damages, do not drop the camera or subject it to shock or vibration.
- Do not install near electric or magnetic fields.
- Protect from humidity and dust.
- Protect from high temperature.
- Be careful when installing near the ceiling of kitchen or a boiler room, as the temperature may rise to high levels.
- Cleaning
To remove dirt from the case, moisten a soft cloth with a soft detergent solution and wipe.
- Mounting Surface.
The material of the mounting surface must be strong enough to support the camera.

FCC COMPLIANCE

This equipment has been tested and found to comply with the limits for a Class B digital device, pursuant to part 15 of the FCC rules. These limits are designed to Provide reasonable protection against harmful interference. when the equipment is operated in a residential environment. This equipment generates, uses, and radiates radio frequency energy; and if it is not installed and used in accordance with the instruction manual, it may cause harmful interference to radio communications.

WARNING : Changes or modifications are not expressly approved by the manufacturer.

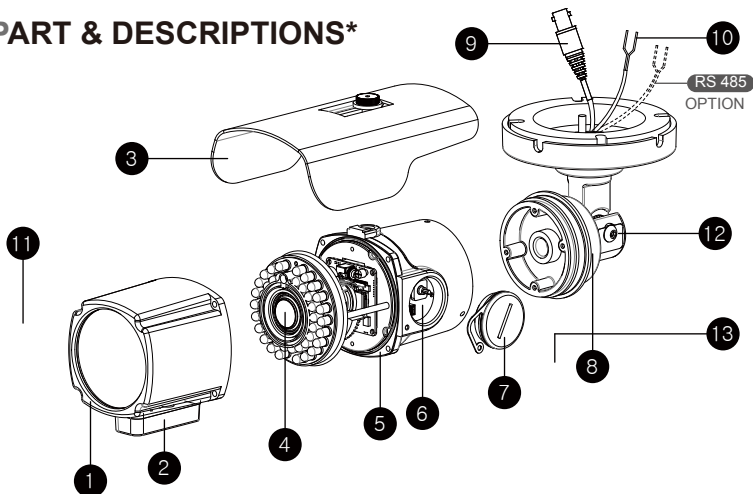
Table of Contents

Introduction	Features	4
	Parts and Descriptions	5
	Dimensions	6
Installation	Included Accessories	7
	Surface Mount Installation	8
	Connecting to Monitors	9
	Camera's Control Board	10
	Adjusting the Camera's Lens	11
	Adjusting the Camera's Angle	12
Troubleshooting		13
Warranty Information		14-15
Specifications		16-17
Memo		18-19

FEATURES*

- 1/3" Sony Super HAD II CCD
- 570TV Lines (B/W), 540TV Lines (Color)
- 6 ~ 50mm Varifocal Auto Iris Lens
- 250ft Range IR with Intelligent Camera Sync
- True Day & Night / TDN5 (Electro Magnetic Mechanism)
- DRC (Dynamic Range Compressor)
- HME (Highlight Masking Exposure)
- SLC (Side Light Compensation)
- AGC / BLC / AWB
- Negative Imaging
- Mirror Image Control
- RS485 Built-In
- Programmable Privacy Zone (4) & Motion Detection
- Easy Icon Driven OSD Menu with Built-In Joystick
- Auto Sensing 12VDC or 24VAC with Line Lock
- Secondary Video-BNC Output

PART & DESCRIPTIONS*



① Front Case

② Zoom, Focus Housing

③ Sunshield

④ Lens

⑤ Rear Case

⑥ Control Board

⑦ Con Cap

⑧ Double Arm Bracket

⑨ BNC Jack

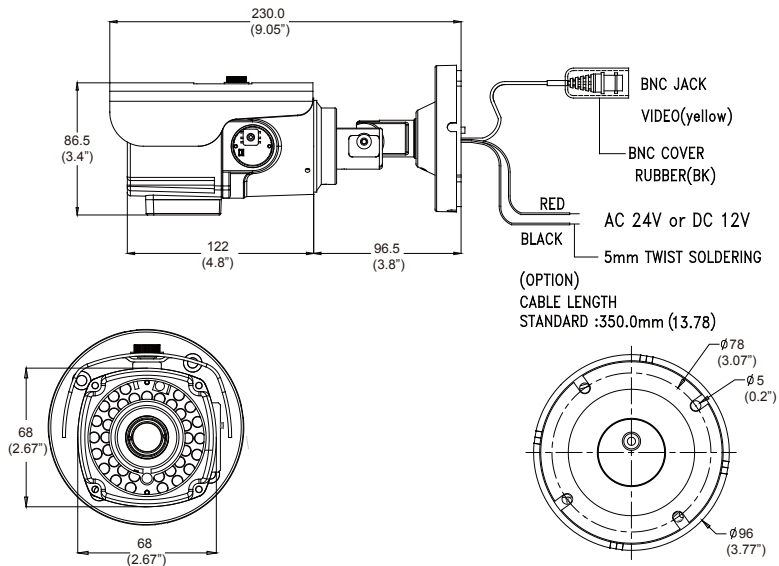
⑩ Power Input Connector
DC 12V / AC24V Voltage

⑪ Assembly Screw

⑫ Fixing Screw

⑬ Set Screw

DIMENSIONS IN MILLIMETERS*



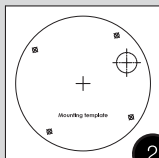
INSIDE THE BOX*

Included with B2 Bullet Camera

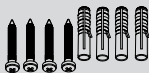
- 1 User Manual
- 2 Mounting Template
- 3 4 Machine Screws and 4 Dry Wall Anchors
- 4 Secondary Video-BNC Cable
- 5 L-Key
- 6 Double-Sided TORX-T20 Hex Key



1



2



3



4

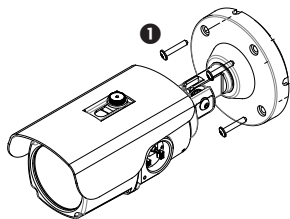


5



6

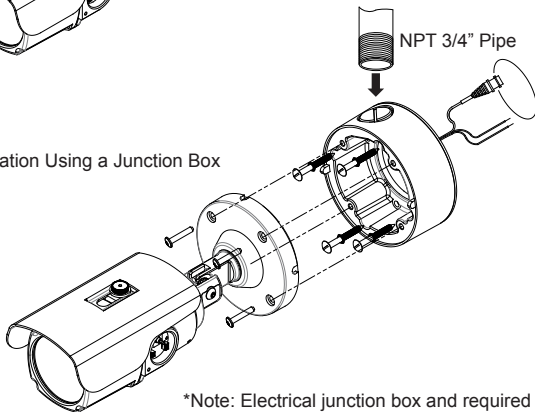
SURFACE MOUNT INSTALLATION INSTRUCTIONS*



- 1 Use the 4 mounting screws to install the camera on the wall or ceiling.

Then, follow the next step on the pages 9-12.

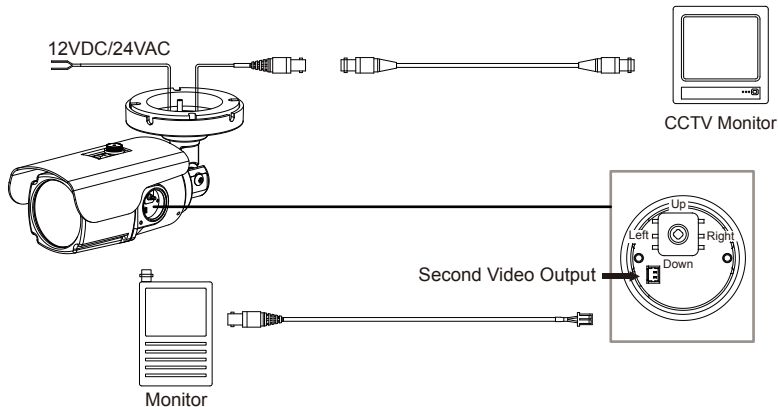
*Installation Using a Junction Box



*Note: Electrical junction box and required screws sold separately.

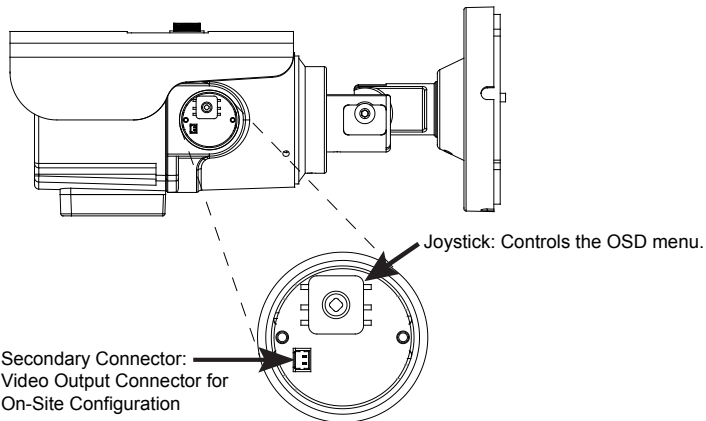
CONNECTING TO MONITORS*

Use the diagram below to connect to a Monitor or CRT Monitor properly.



- Power connection - 12VDC/24VAC Dual Voltage (Auto Polarity Detection and Protection)
- All camera are equipped with a second video output for on-site configuration.

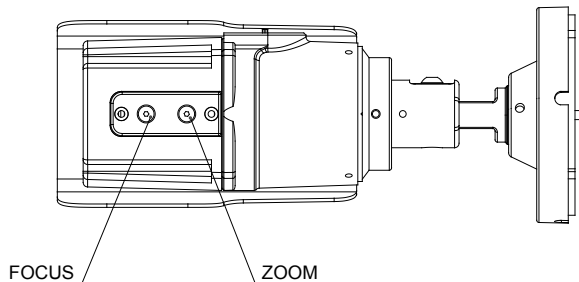
CONTROL BOARD*



- 1 Remove clear plastic ring from the control cap.
- 2 Turn control cap counter-clockwise until cap separates completely from the camera body.

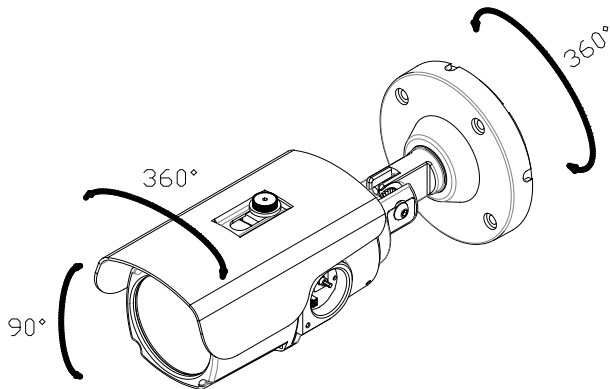
ADJUSTING THE CAMERA LENS*

Follow the instructions provided below to make any lens adjustments.



- 1 To adjust the field of view, use the L-Key to turn the zoom screw (located on the bottom of the camera) counter-clockwise to zoom in, or clockwise to zoom out.
- 2 Adjust the focus the same way as described above AFTER the desired zoom position is established.

ADJUSTING THE CAMERA ANGLE*



CAUTION :

- 1 Do not rotate more than 360°.
- 2 Do not unnecessarily twist too many times.

TROUBLESHOOTING

Before sending your camera for repair, check the following or contact our technical specialist.

FOR NO VIDEO

Check the coaxial cable and make sure it is connected securely.

Check the lens' iris adjustment at the camera's OSD menu.

Check the power supply and make sure the camera has the proper voltage and current.

FOR OUT-OF-FOCUS VIDEO

Check the clear dome cover and the lens for dirt or fingerprints. Use a soft cloth and gently clean. Check the lens' manual focal and zoom adjustment. The use of a field test monitor is recommended.

WARRANTY INFORMATION*

Digital Watchdog (referred to as “the Warrantor”) warrants the Digital Watchdog Camera against defects in materials or workmanship as follows:

LABOR : For the initial five (5) years and one (1) year on IR LED from the original purchase date, if the camera is determined to be defective, the Warrantor will repair or replace the unit with a new or refurbished product at its option at no charge.

PARTS : In addition, the Warrantor will supply replacement parts for the initial five (5) years and one (1) year on IR LED.

To obtain warranty or out of warranty service, please contact a Technical Support Representative at **1-866-446-3595** Monday through Friday from 8:30AM to 8:00PM Eastern Standard Time.

A purchase receipt or other proof of the original purchase date is required before warranty service is rendered. This warranty only covers failures due to defects in materials and workmanship which arise during normal use. This warranty does not cover damage which occurs in shipment or failures which are caused by products not supplied by the Warrantor or failures which result from accident, misuse, abuse, neglect, mishandling, misapplication, alteration, modification, faulty installation, set-up adjustments, improper antenna, inadequate signal pickup, maladjustment of consumer controls, improper operation, power line surge, improper voltage supply, lightning damage, rental use of the product or service by anyone other than an authorized repair facility or damage that is attributable to acts of God.

LIMITS AND EXCLUSIONS*

There are no express warranties except as listed above. The Warrantor will not be liable for incidental or consequential damages (including without limitation or damage to recording media), resulting from the use of these products or arising out of any breach of the warranty. All express and implied warranties, including the warranties of merchantability and fitness for particular purpose, are limited to the applicable warranty period set forth above.

Some states do not allow the exclusion or limitation of incidental or consequential damages, or limitations on how long an implied warranty lasts, so the exclusions or limitations listed above may not apply to you. This warranty gives you specific legal rights, and you may also have other rights that vary from state to state.

If the problem is not handled to your satisfaction, then write to the Address listed on the next page.

Service calls which do not involve defective materials or workmanship as determined by the Warrantor, in its sole discretion, are not covered. Costs of such service calls are the responsibility of the purchaser.

SPECIFICATION*

VIDEO	
Image Sensor	1/3" CCD
Total Pixels	811 (H) x 508 (V), 411K Pixels
Effective Pixels	768 (H) x 494 (V)
Scanning System	525 Lines, 2 : 1 Interlace
Frequency	15.734KHz (H), 59.95Hz (V)
Synchronization	Internal / Line Lock
Horizontal Resolution	540 TV Lines [Color], 570 TV Lines [B&W]
Minimum Illumination	F1.2 (30IRE): 0.01 Lux [Color]
	F1.2 (30IRE): 0.00 Lux [B&W]
S/N Ratio	50dB (AGC off)
Video Output	CVBS: 1.0Vp-p / 75 Ω
LENS	
Focal Length	6~50mm
Lens Type	DC Auto Iris
IR Distance	250ft Range IR
OPERATIONAL	
Shutter Speed	X2-X256, 1/60s-1/100000s
Back Light Compensation	OFF / BLC
Auto Gain Control	OFF / LOW / MIDDLE / HIGH
White Balance	AWC / ATW / PUSH-LOCK / MANUAL

SPECIFICATION*

OPERATIONAL

Day & Night Mode	AUTO / COLOR / B&W
Mirror	OFF / ON
Sharpness	0-49
HME	OFF / ON
SLC	OFF / ON
3D Digital Noise Reduction	OFF / ON (0-100)
Dynamic Range Compressor	OFF / ON
Privacy Zones	OFF / ON (4 Programmable Zones)
Language	ENGLISH /CHINESE

ENVIRONMENTAL

Operating Temperature	-10°C ~ 55°C (14°F ~ 131°F)
Operating Humidity	Less than 90% (Non-Condensing)
Storage Temperature	-20°C ~ 70°C (-4°F ~ 158°F)
IP Rating	IP66 (Protects against dust and high pressure water.)

ELECTRICAL

Power Requirement	Dual (12VDC & 24VAC)
Power Consumption	12VDC: 3.8W, 316.7mA / LED ON 6.6W, 550mA 24VAC: 4.2W, 175mA / LED ON 7.1W, 295.8mA

MECHANICAL

Housing Material	Aluminum
Dimensions	222X89mm (8.7X3.5in)
Weight	1.5 lbs

*Specification is subject to change without prior notice.

MEMO*

MEMO*



5436 W Crenshaw St. Tampa, FL 33634

Tel : 866-446-3595 / 813-888-9555

Fax : 813-888-9262

www.Digital-Watchdog.com

technicalsupport@dwcc.tv

Technical Support Hours : Monday-Friday
8:30am to 8:00pm Eastern Time