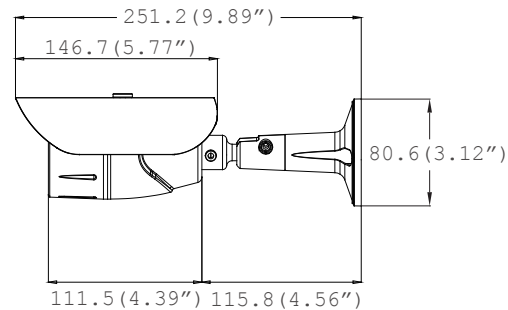




## Dimensions (unit : mm)



## Summary

Our Value 960H Camera is a high resolution camera with an affordable price. Its 960H CCD image sensor achieves higher resolution and higher sensitivity than conventional CCTV cameras. The B562DIR also offers a 3.3-12mm varifocal auto iris lens and features like Highlight Masking Exposure, Back Light Compensation, and Electronic Day and Night. The camera's innovative features and sleek attractive design make it ideal for a wide range of video surveillance applications.

## Features

- 960H CCD Image Sensor (960 Horizontal Pixels)
- 700 TV Lines [B/W], 650 TV Lines [Color]
- 3.3-12mm Varifocal Auto Iris Lens
- Electronic Day and Night
- 85ft Range IR with Intelligent Camera Sync, Smart IR
- HME (Highlight Masking Exposure)
- Programmable Privacy Zones (8) & Motion Detection
- AGC (Auto Gain Control)
- BLC (Back Light Compensation)
- AWB (Auto White Balance)
- Easy Icon Driven OSD Menu with Built-in Joystick
- IP66 Certified (Weatherproof)
- No Fog or Condensation under Any Weather Condition
- Secondary Video-BNC Output

## Specifications

VIDEO	
Image Sensor	960H CCD
Total Pixels	1020 (H) x 507 (V), 520K Pixels
Scanning System	2 : 1 Interlace
Frequency	15.734KHz (H), 59.95Hz (V)
Synchronization	Internal
Horizontal Resolution	700 TV Lines [B&W], 650 TV Lines [Color]
Minimum Illumination	F1.2 (30IRE): 0.3 Lux [Color] F1.2 (30IRE): 0.0 Lux [B/W]
S/N Ratio	52dB (AGC off)
Video Output	CVBS: 1.0Vp-p / 75 Ω
LENS	
Focal Length	3.3-12mm
Lens Type	DC Auto Iris
IR Distance	85ft Range
OPERATIONAL	
Lens	MANUAL, DC (000-100)
Back Light Compensation	OFF, BLC, HME, DIGITAL WDR
Auto Gain Control	OFF, LOW, MID, HIGH, HIGHEST
White Balance	AWC, ATW, MANUAL, PUSH
Color Mode	NORMAL, COOL, WARM
Day and Night	AUTO, COLOR, B&W
Mirror	OFF, MIRROR
Sharpness	000-030
Gamma	MANUAL, 0.45, 0.60, 1.00
Side Light Compensation	OFF, ON (000-030)
Night Up	OFF, ON
Motion Detection	OFF, ON
Privacy Zones	OFF, ON (8 Programmable Zones)
Title	OFF, ON (Up to 16 Characters)
Dead Pixel Cancellation	OFF, AUTO
Communication Protocol	PELCO-D
ENVIRONMENTAL	
Operating Temperature	-10°C ~ 55°C (14°F ~ 131°F)
Operating Humidity	Less than 90% (Non-Condensing)
Storage Temperature	-20°C ~ 70°C (-4°F ~ 158°F)
IP Rating	IP66 (Protects against dust and high pressure water.)
ELECTRICAL	
Power Requirement	DC12V
Power Consumption	DC12V: 1.5W, 125mA / LED ON 4.6W, 383.3mA
MECHANICAL	
Housing Material	Aluminum
Dimensions	∅251.2 X 80.6 mm (∅9.89 X 3.18 in)
Weight	1.02 lbs

\*Specification is subject to change without prior notice.