



5436 W Crenshaw St. Tampa, FL 33634

Tel: 866-446-3595 / 813-888-9555

Fax: 813-888-9262

www.Digital-Watchdog.com

technicalsupport@dwcc.tv

Technical Support Hours: Monday-Friday

8:30am to 8:00pm Eastern Time

BL352IR, BL352IRW Ball Camera

User Manual



ABOUT MANUAL

Before installing and using the camera, please read this manual carefully. Be sure to keep it handy for future reference.

PRECAUTIONS

- Do not open or modify.
- Do not open the case except during maintenance and installation, for it may be dangerous and can cause damages.
- Do not put objects into the unit.
- Keep metal objects and flammable substances from entering the camera. It can cause fire, short-circuits, or other damages.
- Be careful when handling the unit.
- To prevent damages, do not drop the camera or subject it to shock or vibration.
- Do not install near electric or magnetic fields.
- Protect from humidity and dust.
- Protect from high temperature.
- Be careful when installing near the ceiling of a kitchen or a boiler room, as the temperature may rise to high levels.
- Cleaning:
 - To remove dirt from the case, moisten a soft cloth with a soft detergent solution and wipe.
- Mounting Surface:
 - The material of the mounting surface must be strong enough to support the camera.

TROUBLESHOOTING

Before sending your camera out for repair, check the items below. If the problem persists after checking these items, contact your service center.

■ If no image appears,

Is the coaxial cable attached securely?

Is the power and voltage within operational specification?

Has the Iris of the lens been adjusted correctly based on specification levels?

Is there adequate illumination?

■ If the image is unclear,

Is the lens in focus?

Is the lens dirty?

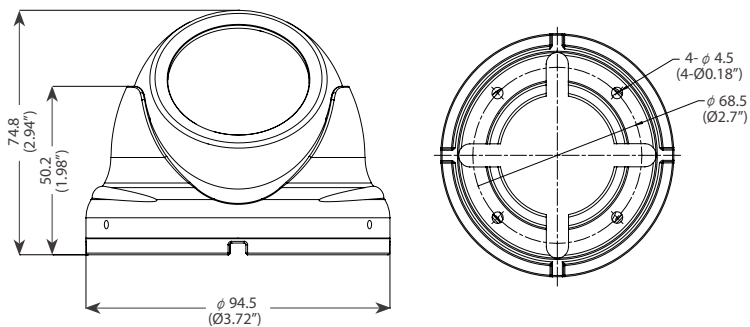
Dirt or fingerprints on the lens can adversely affect the image. Gently wipe any dirt or fingerprints off the lens with cleaning fluid (commercially available) and a soft cloth or lens cleaning paper.

WARNING : TO PREVENT THE RISK OF FIRE OR ELECTRIC SHOCK, DO NOT EXPOSE THIS APPLIANCE TO RAIN OR MOISTURE.

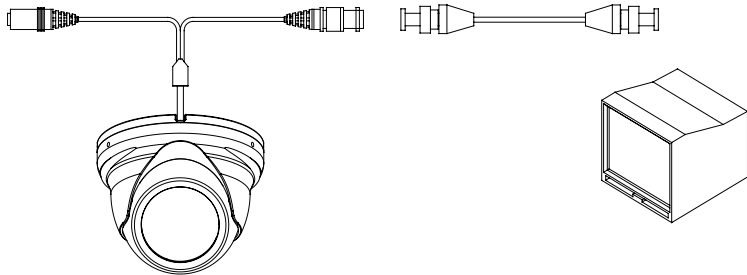
FEATURES*

- 1/3" CCD
- 540 TV Lines
- 3.6mm Fixed Lens
- 18-20ft Range IR
- Low Power Consumption
- Wide Operating Voltage (8VDC~18VDC)
- Ultra Low Light Sensitivity
- Auto BLC (Automatic Backlight Compensation)
- IP66 Certified
- 3-Axis Ball Neck Bracket
- Affordable for Simple Security Applications
- Black Housing(DWC-BL352IR)
- White Housing(DWC-BL352IRW)

DIMENSIONS IN MILLIMETERS*

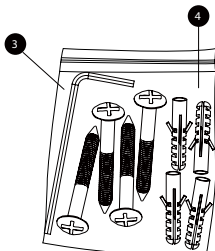
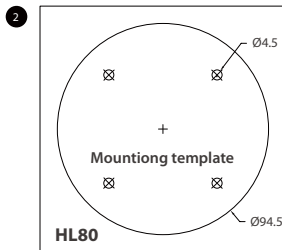


CONNECTION*



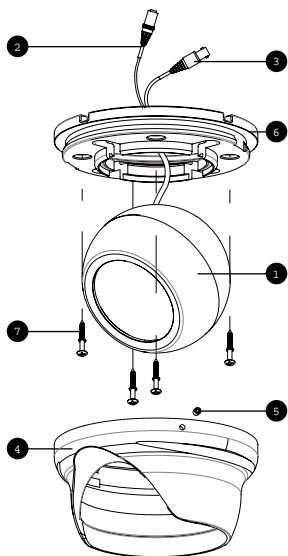
CAUTION : CHECK FOR POLARITY WHEN USING A DC12V POWER SUPPLY.

INCLUDED ACCESSORIES*



- 1 Manual
- 2 Mounting Template
- 3 L-Wrench
- 4 4 Screws & 4 Dry Wall Anchors

INSTALLATION*



- ① Ball Front
- ② Power Input Connector
12VDC Voltage
- ③ Video Output Connector - BNC
- ④ Upper Case
- ⑤ Set Screw
M3xL4
- ⑥ Base
- ⑦ Mounting Screws

CAUTION : CHECK FOR POLARITY WHEN USING A DC12V POWER SUPPLY.

SPECIFICATIONS*

Model	DWC-BL352IR , DWC-BL352IRW	
Camera TYPE	Color/BW	12IR-LED Day/Night Digital Dome Camera
Image	Device	Sharp CCD
	Size	1/3"
	Pixels-Total	811 (H) x 508 (V)
	Pixels-Effective	768 (H) x 494 (V)
Scanning	System	525 line, 2:1Interlace
	Horizontal Frequency Internal Mode	15,734Hz
	Vertical Frequency Internal Mode	59.94Hz
Min. Scene Illumination	IR-LED on	0.0 Lux
Lens	Focal Length	3.6mm Fixed Lens
Resolution	Horizontal	540 TV Lines
Video Output	VBS 1.0Vp-p	VBS 1.0Vp-p(75 Load)
S/N Ratio	S/N Ratio	50dB
Environmental Conditions	Operating Temperature	-10°C~ +55°C(14°F ~ 131°F)
	Humidity	Less than 90%
Power	Power Requirement	DC12V
	Power Consumption	1.0W, 83.3mA
	Power Consumption (LED ON)	2.2W, 183.3mA
Physical Specification	Dimensions(W x H)	94.5 x 74.8mm; 3.72 x 2.94in
Certifications	IP Rating	IP66

WARRANTY INFORMATION*

Digital Watchdog (referred to as “the Warrantor”) warrants the Digital Watchdog Camera against defects in materials or workmanship as follows:

LABOR : For the initial two (2) years and one (1) year on IR LED from the original purchase date, if the camera is determined to be defective, the Warrantor will repair or replace the unit with a new or refurbished product at its option at no charge.

PARTS : In addition, the Warrantor will supply replacement parts for the initial two (2) years and one (1) year on IR LED. To obtain warranty or out of warranty service, please contact a Technical Support Representative at **1-866-446-3595** Monday through Friday from 8:30AM to 8:00PM Eastern Standard Time.

A purchase receipt or other proof of the original purchase date is required before warranty service is rendered. This warranty only covers failures due to defects in materials and workmanship which arise during normal use. This warranty does not cover damage which occurs in shipment or failures which are caused by products not supplied by the Warrantor or failures which result from accident, misuse, abuse, neglect, mishandling, misapplication, alteration, modification, faulty installation, set-up adjustments, improper antenna, inadequate signal pickup, maladjustment of consumer controls, improper operation, power line surge, improper voltage supply, lightning damage, rental use of the product or service by anyone other than an authorized repair facility or damage that is attributable to acts of God.

LIMITS AND EXCLUSIONS*

There are no express warranties except as listed above. The Warrantor will not be liable for incidental or consequential damages (including, without limitation, damage to recording media) resulting from the use of these products, or arising out of any breach of the warranty. All express and implied warranties, including the warranties of merchantability and fitness for particular purpose, are limited to the applicable warranty period set forth above.

Some states do not allow the exclusion or limitation of incidental or consequential damages, or limitations on how long an implied warranty lasts, so the above exclusions or limitations may not apply to you. This warranty gives you specific legal rights, and you may also have other rights that vary from state to state.

If the problem is not handled to your satisfaction, then write to the Address listed on the next page.

Service calls which do not involve defective materials or workmanship as determined by the Warrantor, in its sole discretion, are not covered. Costs of such service calls are the responsibility of the purchaser.