

5436 W Crenshaw Street  
Tampa, FL 33634  
www.digital-watchdog.com  
Technical Support: 1-866-446-3595 / 813-888-9555

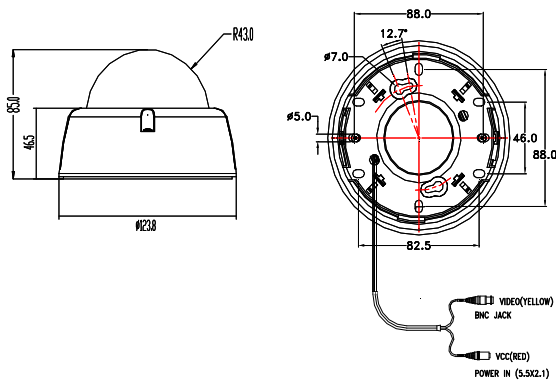
## INSTRUCTION MANUAL

D1373D

### About this manual

Before installing and using the camera, please read this manual carefully. Be sure to keep it handy for future reference.

### DIMENSIONS



## WARRANTY INFORMATION

**Digital Watchdog** (referred to as "the Warrantor") warrants the Camera Series against defects in materials or workmanship as follows: **LABOR:** For the initial five (5) years from the date of original purchase, if the camera is determined to be defective, the Warrantor will repair or replace the unit, with

new or refurbished product at its option, at no charge.

**PARTS:** In addition, the Warrantor will supply replacement parts for the initial five (5) years. To obtain warranty or out of warranty service, please contact a Technical Support Representative at **1-866-446-3595** Monday through Friday from 9:00 AM to 5:00 PM Eastern.

A purchase receipt or other proof of the date of the original purchase is required before warranty service is rendered. This warranty only covers failures due to defects in materials and workmanship which arise during normal use. This warranty does not cover damage which occurs in shipment or failures which are caused by products not supplied by the Warrantor or failures which result from accident, misuse, abuse, neglect, mishandling, misapplication, alteration, modification, faulty installation, set-up adjustments, improper antenna, inadequate signal pickup, maladjustment of consumer controls, improper operation, power line surge, improper voltage supply, lightning damage, rental use of the product or service by anyone other than an authorized repair facility or damage that is attributable to acts of God.

### LIMITS AND EXCLUSIONS

There are no express warranties except as listed above. The Warrantor will not be liable for incidental or consequential damages (including, without limitation, damage to recording media) resulting from the use of these products, or arising out of any breach of the warranty. All express and implied warranties, including the warranties of merchantability and fitness for particular purpose, are limited to the applicable warranty period set forth above.

Some states do not allow the exclusion or limitation of incidental or consequential damages, or limitations on how long an implied warranty lasts, so the above exclusions or limitations may not apply to you.

## PRECAUTIONS

- Do not open or modify  
Do not open the cabinet exit during maintenance and installation, as it may be dangerous and cause damages.
- Do not put objects inside the unit  
Make sure that no metal objects or flammable substances get inside the camera. It could cause fire, short-circuits or damages.
- Be careful when handling the unit  
To prevent damage, do not drop the camera or subject it to strong shock or vibration.
- Install away from electric or magnetic fields
- Protect from humidity and dust
- Protect from high temperature  
Be careful when installing close to the ceiling, in a kitchen or boiler room, as the temperature may raise to high levels.
- Cleaning  
Dirt can be removed from the cabinet only by wiping it with a soft cloth moistened with a soft detergent solution.
- Mounting Surface  
The mounting surface material must be strong enough to secure the camera.

This warranty gives you specific legal rights and you may also have other rights that vary from state to state. If the problem is not handled to your satisfaction, then write to the Address above.

Service calls which do not involve defective materials or workmanship as determined by the Warrantor, in its sole discretion, are not covered. Costs of such service calls are the responsibility of the purchaser.

## TROUBLESHOOTING

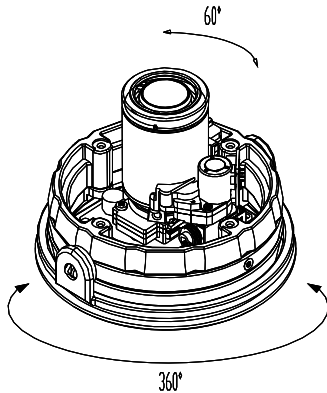
Before sending the camera out for repair, check the items below. If the problem persists after checking these items, contact your service center.

- **If no image appears.**
  - Is the coaxial cable attached securely?
  - Are the power and voltage normal?
  - Has the iris of the lens inside the camera been adjusted correctly (with the level volume) ?
  - Is there adequate illumination?
- **If the image is unclear**
  - Is the lens in focus?
  - Is the lens dirty?
  - Dirt of fingerprints on the lens can adversely affect the images. Gently wipe any dirt or fingerprints off the lens with a soft cloth or lens cleaning paper and cleaning fluid (commercially available).
  - Is the monitor adjusted correctly?

**WARNING:**  
**TO PREVENT THE RISK OF FIRE OR ELECTRIC SHOCK, DO NOT EXPOSE THIS APPLIANCE TO RAIN OR MOISTURE.**

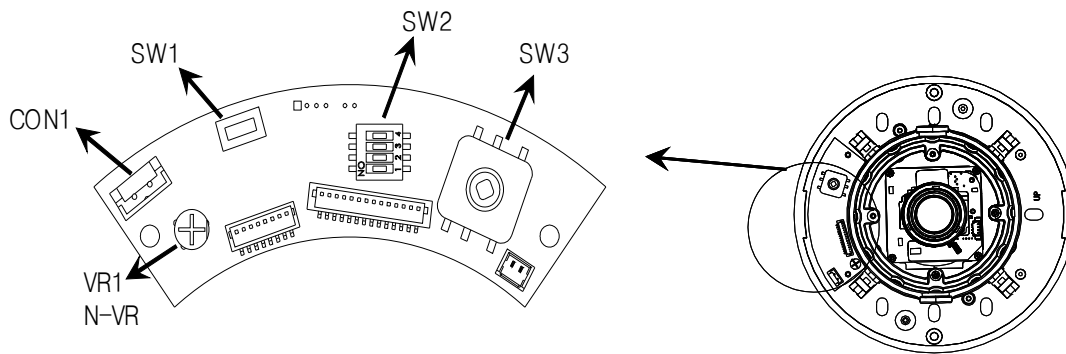
## CONNECTIONS AND CAMERA SETTINGS

### ■ LENS ADJUSTMENTS



1. Adjust the panning(360°) and tilt(60°) position.
2. Adjust the Joy stick to control TELE & WIDE.  
Focus is automatically matched without any adjustment

### ■ CAMERA SETTING FOR CONTROL BOARD



### FUNCTIONAL OF CONTROL BOARD

[1]DC IRIS LEVEL control (VR1)[NOT using]

[2]Functional control of O.S.D(On Screen Display)(SW1)

The function of SW1 joystick are camera zoom in/out and OSD control.

a) Press the SW3 button for 2 seconds until red LED around the camera lens flickers 3 times.

And the function of SW1 is switched to control Omni Focus Zoom IN/OUT.

b) Press the SW3 button for 2 seconds until red LED around the camera lens flickers 3 times.

And the function of SW1 is switched to control OSD menu.

[3]. SW2

The camera ID number is set by pushing SW2 switches.

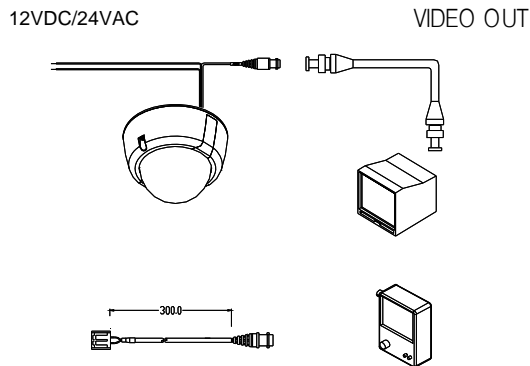
(\* 1,2,4,8(BCD code) means ID number, and ID contains 10 numbers from 0 to 9.) for the IR remote only

[4]. CON2

Video Test output connector

## CONNECTOR AND DIMENSIONS

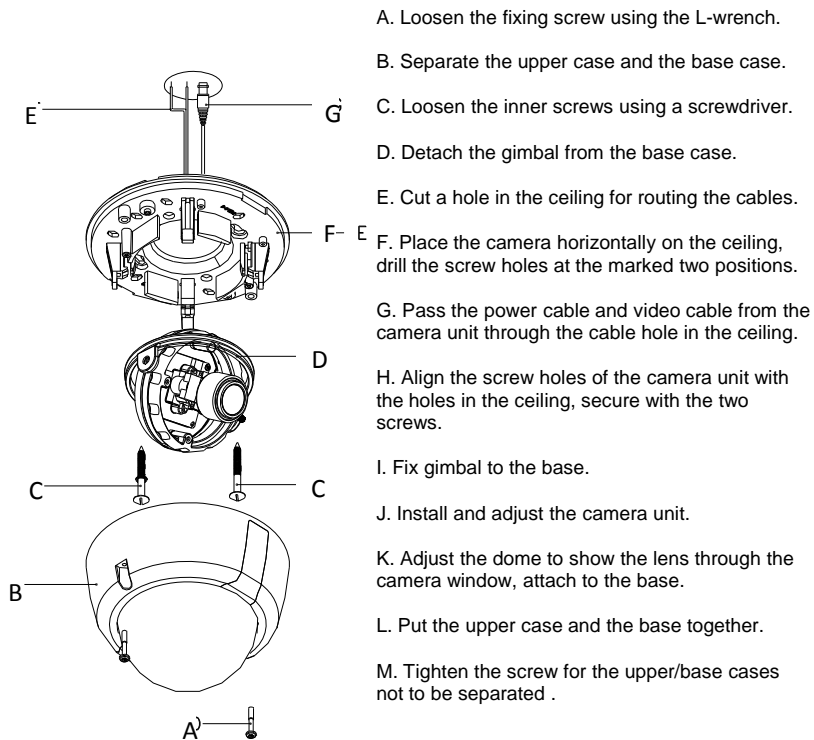
### ■ CONNECTIONS



#### CAUTION :

Check for polarity when using a DC 12V / AC 24V.

## INSTALLATION

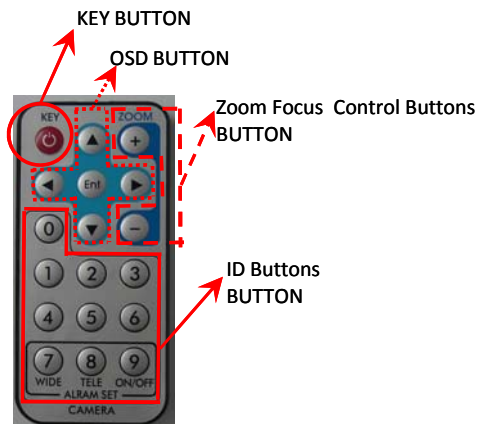


# OSD MENU SETTINGS & REMOTE CONTROL

SETUP	FUNTION	SUMMARY
LENS		when using BUILT-IN lens, the type of the lens is able to fix
SHUTTER	ESC, MANUAL, FLK, OFF	MANUAL: 1/60(50) ~ 1/120,000sec, x2~ x128
WHITE BAL.	ATW, MANUAL, AWC	ATW: 1,800 ~10,500 °K
BACKLIGHT	OFF, LOW, MIDDLE, HIGH	Backlight compensation
AGC	NORMAL, HIGH,OFF	the Brightness can be adjusted(1 ~ 70)
DNR	MIDDLE, HIGH, OFF, LOW	when AGC is turned off, DNR does not operate.
SENS-UP	AUTO(=x6), OFF	when AGC is turned off, SENS-UP does not operate.
SPECIAL	Refer to the bottom	
EXIT		Saved all the setting menu, then exits.
CAMER ID	uppercase or lowercase, OFF /numeral 0~9/-, null	maximum length for the name display is limited 15letters.
DAY NIGHT	AUTO, B/W, EXTERN, COLOR	AUTO : daytime → color mode , night-time → B/W mode B/W : Always B/W mode COLOR: Always color mode EXIERN : CDS EXTERNAL SIGNAL INPUT
SYNC	INT, LL	LL mode: you can adjust desired phase from 0° ~ 359°, auto detection
MOTION DETECTION	OFF, ON	ON mode: AREA(4 programmable zone /SIZE), the word "MOTION DETECTED" appear on the screen when movement is detected
PRIVACY	OFF, ON	ON mode:AREA(4 programmable zone) /SIZE/TONE
MIRROR	OFF, ON	set a horizontal image inversion.
SHARPNESS	OFF, ON(=8)	the available range of level is 0 ~ 31.
RESET		returns to the level which was set by the manufacturer for shipment.
RERURN		save the SPECIAL MENU and then returns to the SETUP MENU

## Omni-Focus Remote Control Instructions

1. Check the Dip switch (SW4) for camera ID (Default is 0)
2. Point the remote control towards the camera, then press and hold [0] until the Red LED light start flashing.
3. Press and hold the KEY button, until LED turns a solid RED.
4. Press the Plus sign (+) to ZOOM IN, Minus sign (-) to ZOOM OUT
5. Press the [ENT] button to enter the setup Menu and press [KEY] button to exit.



<b>Specifications</b>		
<b>Model</b>	<b>D1373D</b>	
<b>Camera TYPE</b>	Color/BW	Plastic, Day/Night Digital Dome Camera
	Mount	Surface
<b>Image</b>	Device	1/3" Super HAD CCD
	Pixels-Total	811(H) x 508(V)
	Pixels-Effective	768(H) x 494(V)
<b>Scanning</b>	System	525 line, 2:1Interlace
	Horizontal Frequency Internal Mode	15,734Hz
	Vertical Frequency Internal Mode	59.94Hz
<b>OSD Functions</b>	Day & Night	AUTO / COLOR / BW
	Sens-up	AUTO / OFF ( x128 )
	DNR	OFF / LOW / MIDDLE / HIGH
	AGC	ON / OFF (Gain Adjust)
	AWB	ATW / AWC / Manual
	Motion Detection	ON / OFF (Area / Sensitivity )
	Privacy Zone	4 Programmable Zone / Size
<b>Lens</b>	Focal Length	2.9 ~ 8.5mm (3x Motorized Zoom)
<b>Resolution</b>	Horizontal	540 TV Lines
<b>Video Output</b>	VBS 1.0Vp-p	VBS 1.0Vp-p(75 Load)
<b>S/N Ratio</b>	S/N Ratio	50dB
<b>Environmental Conditions</b>	Operating Temperature	-10℃ ~ +55℃(14°F ~ 131°F)
	Humidity	Less than 90%
<b>Power</b>	Power Requirement	12VDC / 24VAC
	Power Consumption	12VDC: 222mA 24VAC: 198mA
<b>Physical Specification</b>	Dimensions(W x H)	123.8 x 85mm
	Weight	0.8 lbs
<b>Certifications</b>	CE, FCC, RoHS	Certified