

Power Pix



DWC-D3361WTIR

- 690 Horizontal TV Lines
- 2.8~12mm Varifocal Auto Iris Lens
- 100ft Range IR with Intelligent Camera Sync, TDN
- WDR (Wide Dynamic Range)

The NEW Power Pix Cameras are CMOS cameras with ultra strong Wide Dynamic Range Capabilities, allowing the camera to capture crystal clear images in very harsh lighting environments without losing details or color



DNR (Digital Noise Reduction)

Provides clearer images using a unique algorithm designed to reduce electronic noise while preserving the image's clear details in low light video.

Smear Cancellation

Smear Cancellation adjusts the camera's exposure to the bright light to make sure all the details in the view are clear and visible.



Powerful WDR for Overexposure

Power Pix cameras correct overexposure in outdoor scenes to capture all the details in the bright areas of the Field of View.



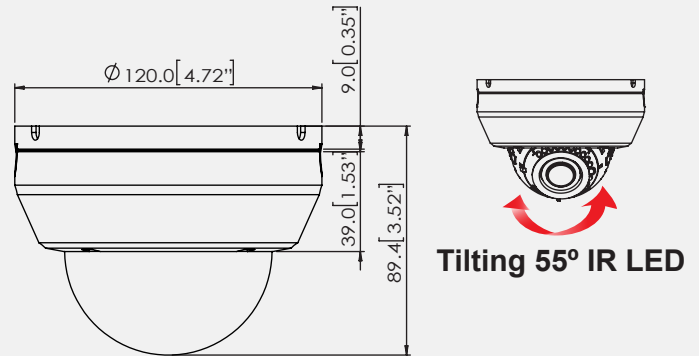
Power WDR for Underexposure

Power Pix cameras correct underexposure in indoor scenes to capture all the details in the dark areas of the Field of View.





Dimensions (unit : mm)



Summary

Our WDR CMOS Series is our new ultimate Wide Dynamic Range camera line equipped with a powerful CMOS sensor chip, offering the most powerful Wide Dynamic Range feature in the market. The cameras are perfect for any project where cameras face harsh lighting conditions, with very dark and very bright areas in the same field of view. By capturing the dark and bright areas separately and then interlacing the image, you are able to utilize one camera to view all the details in complex Fields of View.

Features

- 1/3" 760H CMOS Sensor Chip (760 Horizontal Pixels)
- 690TVL
- 2.8~12mm Varifocal Auto Iris Lens
- 100ft Range IR with Intelligent Camera Sync
- TDN (True Day & Night) with IR Cut Filter
- WDR (Wide Dynamic Range)
- 2D DNR (2D Digital Noise Reduction)
- Smear Cancellation
- AGC / AWB
- Easy Icon Driven OSD Menu with Built-in Joystick
- Auto Sensing 24VAC/12VDC

Specifications

VIDEO	
Image Sensor	760H CMOS
Total Pixels	766(H) X 504(V)
Scanning System	2 : 1 Interlace
Frequency	15.734KHz (H), 59.95Hz (V)
Synchronization	Internal
Horizontal Resolution	690 TV Lines
Minimum Illumination	F1.2 (30IRE): 0.0 Lux
S/N Ratio	58dB (AGC off)
Video Output	CVBS: 1.0Vp-p / 75 Ω
LENS	
Focal Length	2.8~12 mm
Lens Type	Varifocal Auto Iris Lens
IR Distance	100ft Range IR
OPERATIONAL	
Shutter Speed	1/60~1/66,000, AUTO
Brightness	1~10
WDR	Low / Middle / High
Auto Gain Control	Low / Middle / High
DNR	Level 1 ~ 3
White Balance	ATW/ OUTDOOR/ INDOOR
Day and Night	AUTO/ COLOR/ EXT
Mirror	NONE/ H/ V/ H,V
Contrast	1~10
Sharpness	1 ~ 10
White Level	1~10
ENVIRONMENTAL	
Operating Temperature	-10°C ~ 50°C (14°F ~ 122°F)
Operating Humidity	Less than 90% (Non-Condensing)
ELECTRICAL	
Power Requirement	Dual Voltage (DC12V, 24VAC)
Power Consumption	DC12V: 1.8W, 150mA, LED On: 4.3W, 358mA AC24V: 1.8W, 75mA, LED On: 4.3W, 158mA
MECHANICAL	
Housing Material	Plastic
Dimensions	120 x 89.4 mm (4.7 X 3.52 in)
Weight	0.5 lbs

*Specification is subject to change without prior notice.