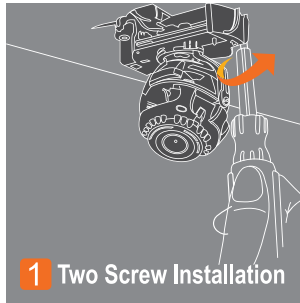




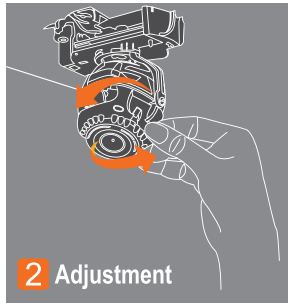
It's quick. It's easy!

Snapit

Easy Installation 1 2 3



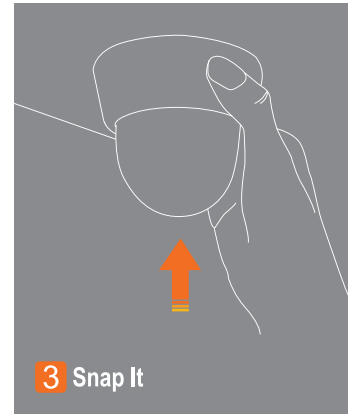
1 Two Screw Installation



2 Adjustment

Completing your installations quickly is a Snap!

Indoor Dome Camera D4382D



3 Snap It

OMNI-PLUS™

OMNI-Focus Lens

Crisp, clear, always in focus. Utilizes three lenses to view fore-, mid-, and background as one. Each camera provides 20/20 precision in all your surveillance applications.



Intelligent Motion Detection

When motion is detected in a viewing area, the lens optically zooms in up to 3X for a programmable period of time and returns back to its normal condition.



IR Remote Programming

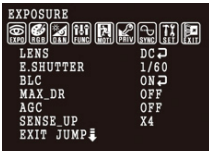
OMNI-Plus Cameras can be programmed and customized for each application with our complimentary IR Remote. Programming is achieved from line of sight 90° from the camera.



INFINITY

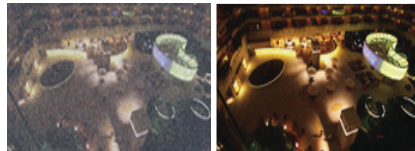
Icon Driven OSD Menu

ICON Driven OSD Menu will easily guide you through programming options. Simple and fast programming.



Smart DNR (Digital Noise Reduction)

Smart DNR produces less noise and more color at night without image lagging.



WDR (Wide Dynamic Range)

Enables the camera to capture perfect images in both bright and dark environments simultaneously.



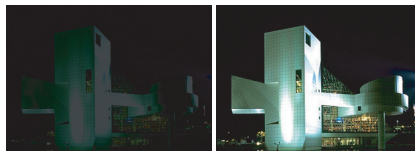
HME (Highlight Masking Exposure)

Masks overly exposed light to produce a true video image of any environment.



Star-Light (Super Low Light Technology)

Offers a slow shutter feature that increases the length of time the shutter remains open to collect additional light, illuminating typically dark environments.



Programmable Privacy Zone

When privacy is a concern, monitoring can be masked in certain zones within the scene. The user can define up to eight rectangular exclusions.



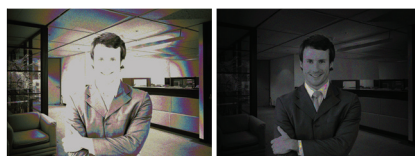
3-Axis Gimbal

Choose the exact scene you wish to view with our flexible 3-Axis Gimbal technology.



Smart IR-See what is really happening at night.

The breakdown of the video image into five zones allows for an even distribution of the IR, which prevents excessive illumination.

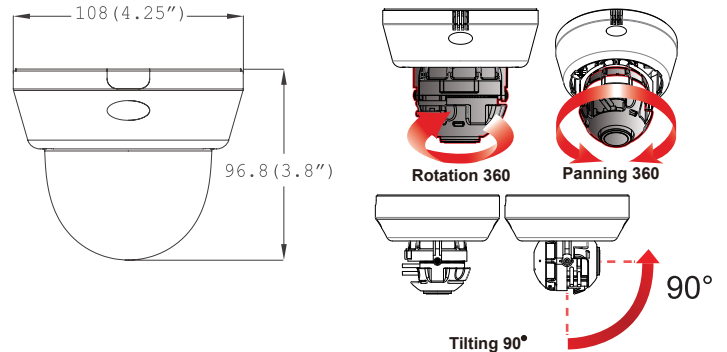




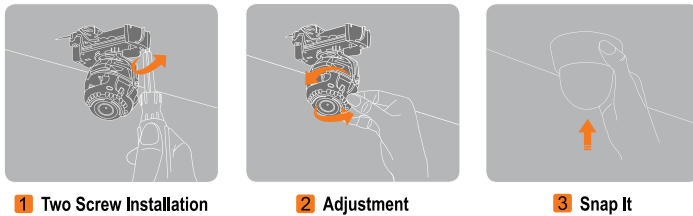
Snapit
RS485 UTP



Dimensions (unit : mm)



Snapit Easy Installation 1 2 3



Summary

Our Snapit Indoor Dome D4382D is powered by our Infinity OMNI-Plus technology. The technology simplifies field-of-view adjustment by offering an OMNI-Focus lens which utilizes lenses to view fore-, mid-, and background as one.

Our simple to install housing series combined with our reliable camera technology series gives you a high quality camera in just a few minutes. All Snapit housings include both a built-in UTP and RS-485.

Features

- 1/3" Sony Super HAD CCD II
- 620 TV Lines [B&W], 600 TV Lines [Color]
- OMNI-Focus 2.9~8.5mm Auto Iris Lens, 3X Motorized Zoom
- Electronic Day and Night
- WDR (Wide Dynamic Range)
- Smart DNR (Digital Noise Reduction)
- Star-Light (Super Low Light Technology)
- HME (Highlight Masking Exposure)
- Programmable Privacy Zones (8) & Motion Detection
- AGC / BLC / AWB
- Easy Icon Driven OSD Menu with Built-in Joystick
- UTP & RS-485 Built-in
- Auto Sensing 24VAC/12VDC with Line Lock
- Secondary Video-BNC Output

Accessories (Optional)



DWC-D1WM
Wall Mount for D1 & D4 Housing

Specifications

VIDEO	
Image Sensor	1/3" Sony Super HAD CCD II
Total Pixels	811 (H) x 508 (V), 411K Pixels
Effective Pixels	768 (H) x 494 (V)
Frequency	15.734KHz (H), 59.95Hz (V)
Synchronization	Internal or Line Lock
Horizontal Resolution	620 TV Lines [B&W], 600 TV Lines [Color]
Minimum Illumination	F1.2 (30IRE): 0.14 Lux [Color] F1.2 (30IRE): 0.03 Lux [B&W]
S/N Ratio	50dB (AGC off)
Video Output	CVBS: 1.0Vp-p / 75 Ω
LENS	
Focal Length	2.9-8.5mm
Lens Type	OMNI-Focus, Auto Iris
Zoom	3X Motorized
OPERATIONAL	
Back Light	OFF / BLC / HME / WDR
Auto Gain Control	OFF / LOW / MID / HIGH / HIGHEST
Star-Light	OFF / X2-X1024
3D Digital Noise Reduction	OFF / LOW / MID / HIGH / SMART
White Balance	AWC / ATW / MANUAL / PUSHLOCK
Mirror	OFF / MIRROR
Sharpness	0-30
Gamma	MANUAL / 0.45 / 0.60 / 1.0
Side Light Compensation	OFF / ON
Night Up	OFF / ON
Motion Detection	OFF / ON (4 Areas)
Privacy Zones	OFF / ON (8 Programmable Zones)
Dead Pixel Cancellation	OFF / AUTO
Languages	ENGLISH / MANDARIN / CANTONESE / JAPANESE / GERMAN / FRENCH / ITALIAN / RUSSIAN / SPANISH / DUTCH
ENVIRONMENTAL	
Operating Temperature	-10°C ~ 55°C (14°F ~ 131°F)
Operating Humidity	Less than 90% (Non-Condensing)
Storage Temperature	-20°C ~ 70°C (-4°F ~ 158°F)
ELECTRICAL	
Power Requirement	Dual (12VDC & 24VAC)
Power Consumption	12VDC: 2.1W, 175mA 24VAC: 2.2W, 91.7mA
MECHANICAL	
Housing Material	Plastic
Dome Cover Material	Polycarbonate
Dimensions	∅108 X 96.8 mm (∅4.25 X 3.81 in)
Weight	0.507 lbs

*Specification is subject to change without prior notice.