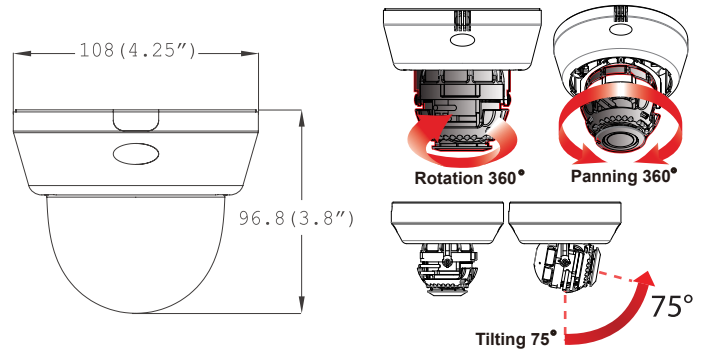
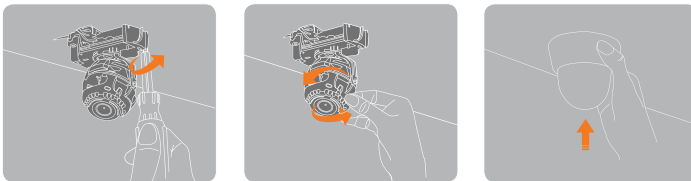




### Dimensions (unit : mm)



### Snapit Easy Installation 1 2 3



1 Two Screw Installation      2 Adjustment      3 Snap It

### Summary

Our Snapit Indoor Dome D4382TIR is powered by our Infinity OMNI-Plus technology. The technology simplifies field-of-view adjustment by offering an OMNI-Focus lens which utilizes lenses to view fore-, mid-, and background as one.

Our simple to install housing series combined with our reliable camera technology series gives you a high quality camera in just a few minutes. All Snapit housings include both a built-in UTP and RS-485.

### Features

- 1/3" Sony Super HAD CCD II
- 620 TV Lines [B&W], 600 TV Lines [Color]
- OMNI-Focus 2.9~8.5mm Auto Iris Lens, 3X Motorized Zoom
- 50ft Range IR with Intelligent Camera Sync, Smart IR
- TDN (True Day and Night / IR Cut Filter)
- WDR (Wide Dynamic Range)
- Smart DNR (Digital Noise Reduction)
- Star-Light (Super Low Light Technology)
- HME (Highlight Masking Exposure)
- Programmable Privacy Zones (8) & Motion Detection
- Easy Icon Driven OSD Menu with Built-in Joystick
- UTP & RS-485 Built-in
- Auto Sensing 24VAC/12VDC with Line Lock
- Secondary Video-BNC Output

### Accessories (Optional)



DWC-D1WM  
Wall Mount for D1 & D4 Housing

### Specifications

VIDEO	
Image Sensor	1/3" Sony Super HAD CCD II
Total Pixels	811 (H) x 508 (V), 411K Pixels
Effective Pixels	768 (H) x 494 (V)
Frequency	15.734KHz (H), 59.95Hz (V)
Synchronization	Internal or Line Lock
Horizontal Resolution	620 TV Lines [B&W], 600 TV Lines [Color]
Minimum Illumination	F1.2 (30IRE): 0.14 Lux [Color] F1.2 (30IRE): 0.00 Lux [B&W]
S/N Ratio	50dB (AGC off)
Video Output	CVBS: 1.0Vp-p / 75 Ω
LENS	
Focal Length	2.9-8.5mm
Lens Type	OMNI-Focus, Auto Iris
Zoom	3X Motorized
IR Distance	50ft Range IR
OPERATIONAL	
Back Light	OFF / BLC / HME / WDR
Auto Gain Control	OFF / LOW / MID / HIGH / HIGHEST
Star-Light	OFF / X2-X1024
3D Digital Noise Reduction	OFF / LOW / MID / HIGH / SMART
White Balance	AWC / ATW / MANUAL / PUSHLOCK
Mirror	OFF / MIRROR
Sharpness	0-30
Gamma	MANUAL / 0.45 / 0.60 / 1.0
Side Light Compensation	OFF / ON
Night Up	OFF / ON
Motion Detection	OFF / ON (4 Areas)
Privacy Zones	OFF / ON (8 Programmable Zones)
Dead Pixel Cancellation	OFF / AUTO
Languages	ENGLISH / MANDARIN / CANTONESE / JAPANESE / GERMAN / FRENCH / ITALIAN / RUSSIAN / SPANISH / DUTCH
ENVIRONMENTAL	
Operating Temperature	-10°C ~ 55°C (14°F ~ 131°F)
Operating Humidity	Less than 90% (Non-Condensing)
Storage Temperature	-20°C ~ 70°C (-4°F ~ 158°F)
ELECTRICAL	
Power Requirement	Dual (12VDC & 24VAC)
Power Consumption	12VDC: 2.1W, 175mA / LED ON 4.5W, 375mA 24VAC: 2.2W, 91.7mA / LED ON 4.6W, 192mA
MECHANICAL	
Housing Material	Plastic
Dome Cover Material	Polycarbonate
Dimensions	∅108 X 96.8 mm (∅4.25 X 3.81 in)
Weight	0.529 lbs

\*Specification is subject to change without prior notice.