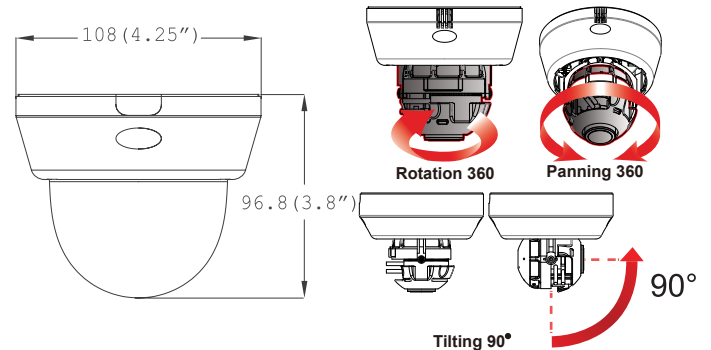
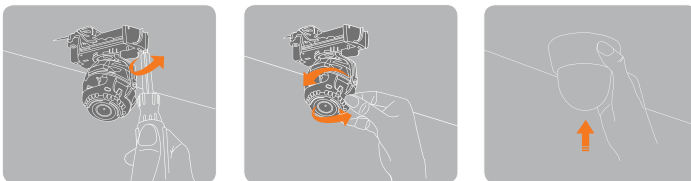




Dimensions (unit : mm)



Snapit Easy Installation 1 2 3



- 1 Two Screw Installation
- 2 Adjustment
- 3 Snap It

Summary

The HD421D is a 2.1 megapixel indoor dome camera with HD-SDI 1080P output. The camera outputs the clearest high definition images with its 1/2.8" CMOS sensor and features like 3D Digital Noise Reduction and Wide Dynamic Range. The command via coaxial cables offers the unique ability to control and configure the camera remotely from Digital Watchdog's VMAXHD DVR. Our simple to install housing series combined with our reliable camera technology series gives you a high quality camera in just a few minutes.

Features

- 1/2.8" CMOS Sensor
- Highest Resolution 2.1 Megapixels (HD-SDI)
- 3.5~16mm Remote Auto Focus
- 4.5 X Optical Zoom
- Digital Zoom
- Electronic Day and Night
- WDR (Wide Dynamic Range)
- 3D-DNR (3D Digital Noise Reduction)
- Programmable Privacy Zones (30) & Motion Detection
- Mirror & Flip
- OSD Control via Coaxial Cable (with DW-VMAXHD DVR Only)
- AGC / BLC / AWB
- RS-485 Built-in
- Secondary Video-BNC Output

Accessories (Optional)



DWC-D1WM

Wall Mount for D1 & D4 Housing

Specifications

VIDEO	
Image Sensor	1/2.8" CMOS Sensor
Total Pixels	2000 (H) x 1241 (V)
Synchronization	Internal
Resolution	2.1 Megapixels (1920 x 1080) at 30fps
Minimum Illumination	F1.6 (30IRE): 0.10 Lux [Color] F1.6 (30IRE): 0.01 Lux [B&W]
S/N Ratio	50dB (AGC off)
Video Output	HD-SDI
LENS	
Focal Length	3.5-16mm
Lens Type	Auto Focus
OPERATIONAL	
Brightness	0-20
Shutter	AUTO / MANUAL
Digital Slow Shutter	OFF / X2 / X3 / X4
Auto Gain Control	0-20
Lens Type	MANUAL / DC / AF
Lens Mode	OUTDOOR/ INDOOR FLK/ DEBLUR120/ DEBLUR240
Auto White Balance	AUTO / AUTO_H / AUTO_I / PRESET / MANUAL / AUTO_EXT
Privacy Zones	OFF / ON (30 Programmable Zones)
Digital Noise Reduction	OFF / LOW / MIDDLE / HIGH
Digital zoom	1~112
Chroma	0-20
Sharpness	0-10
Mirror & Flip	OFF / ON
Highlight Mask	OFF / ON
WDR / BLC	OFF / WDR / BLC
Language	ENGLISH / CHINESE / GERMAN
ENVIRONMENTAL	
Operating Temperature	-10°C ~ 50°C (14°F ~ 122°F)
Operating Humidity	Less than 90% (Non-Condensing)
Storage Temperature	-20°C ~ 70°C (-4°F ~ 158°F)
ELECTRICAL	
Power Requirement	DC12V Only (10V ~ 16V)
Power Consumption	2.0W, 166.7mA
MECHANICAL	
Housing Material	Plastic
Dome Cover Material	Polycarbonate
Dimensions	∅108 X 96.8 mm (∅4.25 X 3.8 in)
Weight	0.507 lbs

*Specification is subject to change without prior notice.