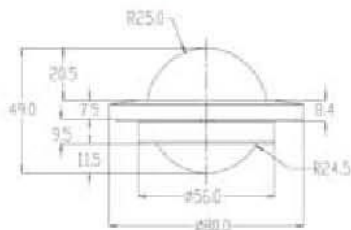


# Micro Dome MC352/MC352-29 Micro Dome Camera Vandal Proof



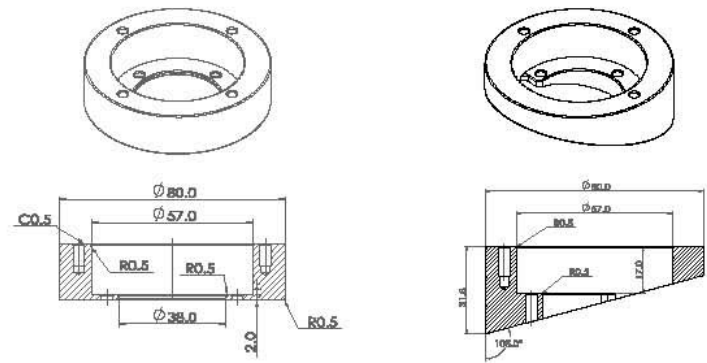
## Dimensions (Unit : mm)



## Mechanical

3D gimbal for easy control  
Vandal proof Aluminum Dome

## Accessories



• DWC-MCSM : Surface mount Bracket

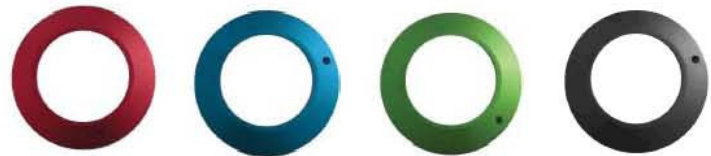
• DWC-MCAM : Surface angle mount Bracket

## Summary

MC352 Micro Dome Cameras are sleek High Resolution images that offer innovative features in a low-profile attractive design. This compact camera utilize the premier 1/3" Sony HAD CCD chip set and are perfect for applications where discrete, low profile aesthetics are important. Application's may include but are not limited to, transportation, elevators, intercom entry, high-end residential, and ATM.

This product is NEMA rated IP66 with a shock resistant aluminum housing that can be painted for most applications and offers a 5 Year Warranty

## Optional Trim Ring



• DWC-MC RED

• DWC-MC BLU

• DWC-MC GRN

• DWC-MC BLK

## Features

- 1/3" Sony super II HAD CCD
- 540 TV Line
- 2.9mm or 3.6mm fixed iris lens
- Low power consumption. Max 0.7W
- Enhanced Sensitivity 0.4 Lux F1.2
- Auto White Balance
- Wide operating voltage (8VDC-18VDC)
- Ultra Low-light Sensitivity
- 5 Year warranty

## Specifications

Model	MC352	
Camera TYPE	Color/BW	Digital Micro Camera
Mount	Surface	
Image	Device : MC352	Sony Super HAD CCD
	Size	1/3"
	Pixels-Total	811(H) x 508(V)
	Pixels-Effective	800(H) x 492(V)
Min. Scene Illumination	F1.2	0.4 Lux
Lens	Focal Length	2.9mm fixed or 3.6mm
Resolution	Horizontal	540 TV Lines
Video Output	VBS 1.0Vp-p	VBS 1.0Vp-p(75 Load)
S/N Ratio	S/N Ratio	45dB
Environmental Conditions	Operating Temperature	-10°C ~ +55°C(14°C ~ 131°C)
	Humidity	Less than 90%
Power	Power Requirement	12VDC
	Power Consumption	Max 2.0 watt
Physical Specification	Dimensions(L x H)	80 x 28mm
	Weight	0.4 lbs
Certifications	CE, FCC, RoHS	Certified

