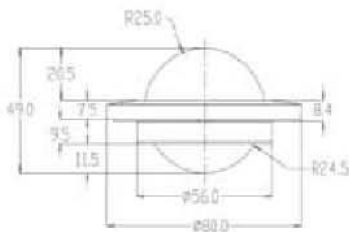


# Micro Dome MC352DIR

## Micro Dome Camera Vandal Proof



### Dimensions (Unit : mm)



### Summary

The MC352DIR Micro Dome Camera is high Resolution, Day and Night with IR camera that offer innovative features in a sleek attractive design. This compact camera utilize the premier 1/3" Sony HAD CCD chip set and are perfect for applications where discrete, low profile aesthetics are important. Application's may include but are not limited to, transportation, elevators, intercom entry, high-end residential, and ATM. This product is NEMA rated IP66 with a shock resistant aluminum housing that can be painted for most applications and offers a 5 Year Warranty.

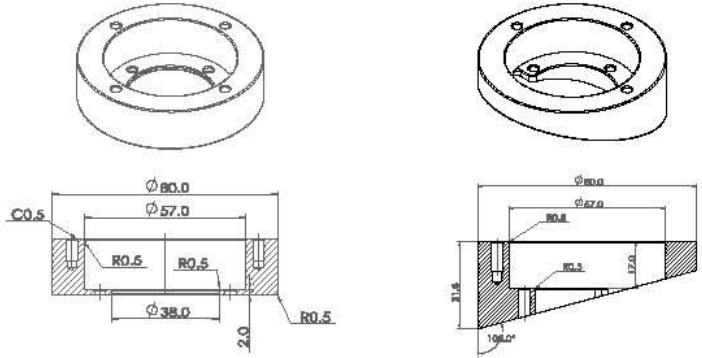
### Features

- 1/3" Sony super II HAD CCD
- 540 TV Line
- 3.6mm fixed iris lens
- 20 feet range IR with Intelligent Camera Sync
- Low power consumption. Max 0.7W
- Auto White Balance
- Day/Night with Automatic
- Wide operating voltage (8VDC-18VDC)
- Ultra Low-light Sensitivity
- 5 Year warranty

### Mechanical

Mechanical  
3D gimbal for easy control  
Vandal proof Aluminum Dome

### Accessories



- DWC-MCSM : Surface mount Bracket
- DWC-MCAM : Surface angle mount Bracket

### Optional Trim Ring



- DWC-MC RED
- DWC-MC BLU
- DWC-MC GRN
- DWC-MC BLK

### Specifications

Model	MC352DIR	
Camera TYPE	Color/BW	Digital Micro Camera
	Mount	Surface
Image	Device	MC352, MC352DIR
	Size	1/3"
	Pixels-Total	811 (H) x 508 (V)
	Pixels-Effective	800 (H) x 492 (V)
Min. Scene Illumination	IR-LED on	0.0 Lux
	F1.2	0.4 Lux
Functions	IR	20 feet range
Lens	Focal Length	3.6mm Fixed
Resolution	Horizontal	540 TV Lines
Video Output	VBS 1.0V/p-p	VBS 1.0V/p-p(75 Load)
S/N Ratio	S/N Ratio	45dB
Environmental Conditions	Operating Temperature	-10°C ~ +55°C (14°C ~ 131°C)
	Humidity	Less than 90%
Power	Power Requirement	12VDC
	Power Consumption	Max 2.0 watt
Physical Specification	Dimensions (L x H)	80 x 28mm
	Weight	0.4 lbs
Certifications	CE, FCC, RoHS	Certified

