

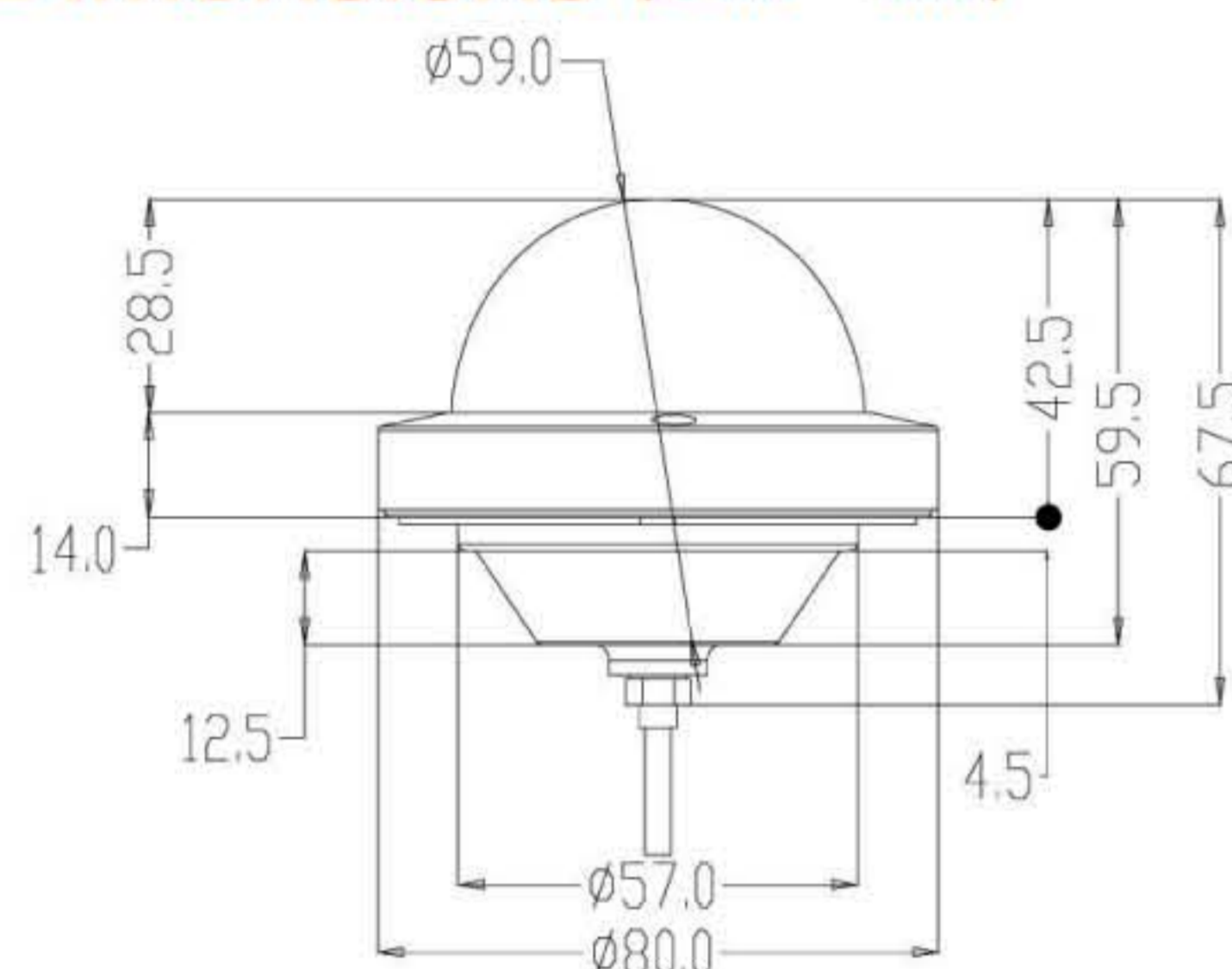
Micro Dome MC355T/MC355T29 Micro Dome Camera Vandal Proof



Conventional Camera vs PIXIM Camera



Dimensions (Unit : mm)



Summary

The MC355T Micro Dome Camera offers High Performance, High Resolution, and Day and Night. This low profile Micro Dome is enhanced with PIXIM WDR which provides the surveillance market with something truly unique—the Digital Pixel System technology. Not only is Pixim's technology the only all-digital image solution, but it is the only technology to employ hundreds of thousands of pixels each acting like individual cameras. These constantly self-adjusting pixels eliminate image-compromising visual noise and deliver high-resolution, natural color, and clarity. The result is simply unparalleled image quality regardless of lighting conditions or applications. This compact camera utilizes a 1/3" CMOS Pixim chip set, offers High Resolution imaging in a sleek attractive design and is perfect for applications where discrete, low profile aesthetics are important. Application's may include but are not limited to, transportation, elevators, intercom entry, high-end residential, and ATM. This product is NEMA rated IP66 with a shock resistant aluminum housing that can be painted for most applications and offers a 5 Year Warranty

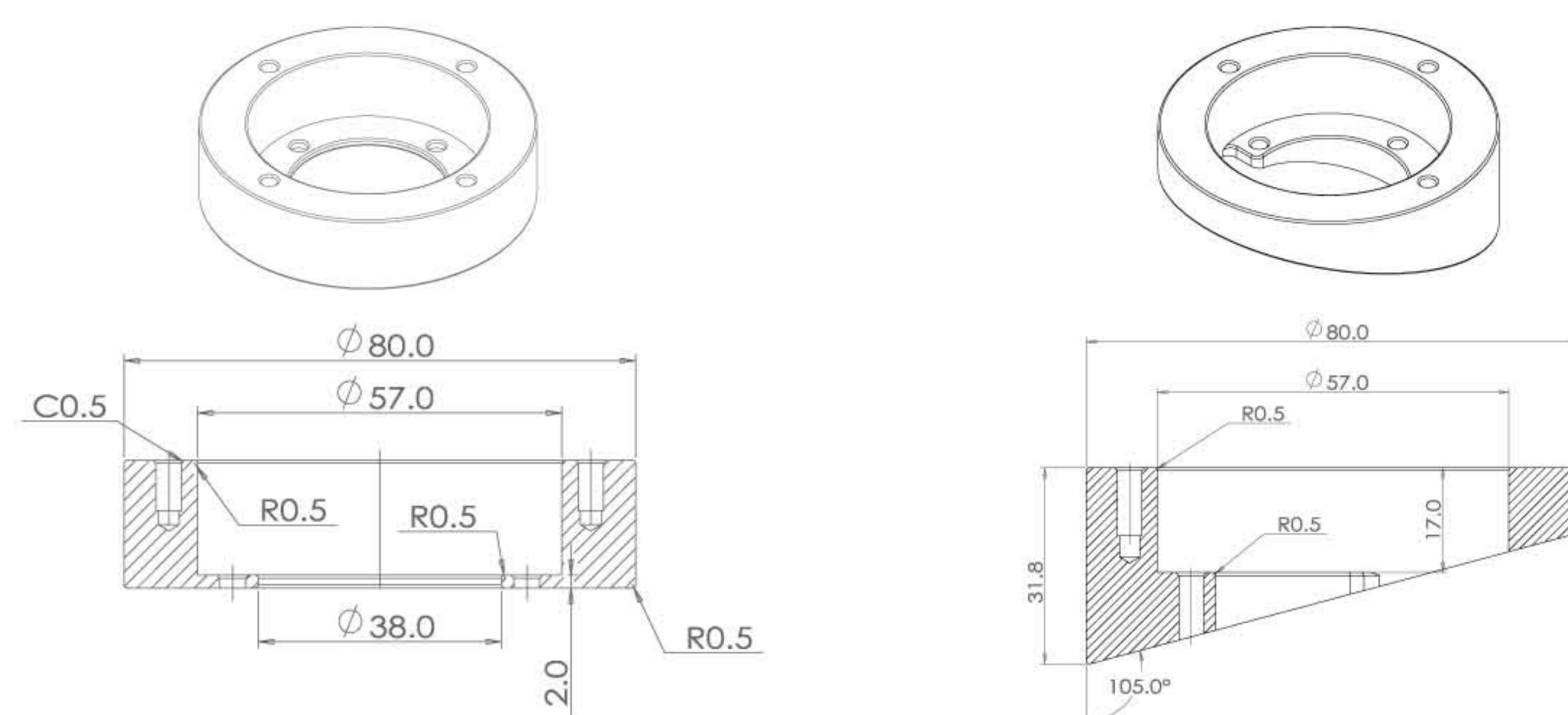
Features

- CMOS sensor / PIXIM
- 480 TV Line
- 2.9mm fixed iris lens or 3.6mm fixed iris lens
- Powerful Wide Dynamic Range
- Smear canceling circuit
- Low power consumption. Max 0.7W
- Enhanced Sensitivity 0.4 Lux F1.2
- Day/Night with true IR cut filter
- Wide operating voltage (8VDC-18VDC)
- Ultra Low-light Sensitivity
- 3D gimbal for easy control
- Vandal proof Aluminum Dome
- 5 Year Warranty

Mechanical

3D gimbal for easy control
Vandal proof Aluminum Dome

Accessories



- DWC-MCSM : Surface mount Bracket
- DWC-MCAM : Surface angle mount Bracket

Optional Trim Ring



Specifications

	MC355[Pixim]	
Camera TYPE	Color/BW	Digital Micro Camera
	Mount	Surface
Image	Device :MC355	Pixim CMOS
	Size	1/3"
	Pixels-Total	811(H) x 508(V)
	Pixels-Effective	800(H) x 492(V)
Min. Scene Illumination	Color	0.3 lux@F1.2 50IRE DSS on x32
		1.5 lux@F1.2 50IRE
	B/W	0.002 lux@F1.2 50IRE DSS on x32 0.08 lux@F1.2 50IRE
Functions	WDR	ON
Lens	Focal Length	2.9 mm Fixed or 3.6mm Fixed
Resolution	Horizontal	480 TV Lines
Video Output	VBS 1.0Vp-p	VBS 1.0Vp-p(75 Load)
S/N Ratio	S/N Ratio	45dB
Environmental Conditions	Operating Temperature	-10°C ~ +55°C(14°C ~ 131°C)
	Humidity	Less then 90%
Power	Power Requirement	12VDC
	Power Consumption	Max 2.0 watt
Physical Specification	Dimensions(L x H)	80 x 28mm
	Weight	0.4 lbs
Certifications	CE, FCC, RoHS	Certified

