



DWC-P1357WD

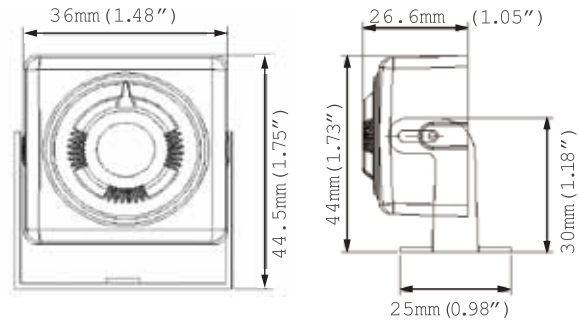
High Resolution Pinhole Camera

designed for ATMs, banks, gas station pumps, and any scenario where concealed video recording is the optimal solution





Dimensions (unit : mm)



Summary

The P1357WD is a high resolution color pinhole camera built with a 1/3" double scan CCD and 3.7mm board lens. Powered by our Infinity DSP technology, the camera utilizes Star-Light, WDR, DIS, and other great features to help produce clear 600 TVL images. The miniature size and high resolution image make the P1357WD an ideal addition to a variety of security applications, like ATMs, banks, gas station pumps, and any scenario where concealed video recording is the optimal solution.

Features

- 1/3" Sony Double Scan CCD
- 600 TV Lines
- 3.7mm Fixed Lens
- Electronic Day and Night
- WDR (Wide Dynamic Range)
- 3D-DNR (3D Digital Noise Reduction)
- DIS (Digital Image Stabilizer)
- Star-Light (Super Low Light Technology)
- HME (Highlight Masking Exposure)
- Programmable Privacy Zones (6) & Motion Detection
- Easy Icon Driven OSD Menu with Built-in Joystick
- Wide Operating Voltage
- Low Power Consumption

Specifications

| VIDEO | |
|----------------------------|---|
| Image Sensor | 1/3" Sony Double Scan CCD |
| Total Pixels | 811 (H) x 508 (V), 411K Pixels |
| Effective Pixels | 768 (H) x 494 (V) |
| Frequency | 15.734KHz (H), 59.95Hz (V) |
| Synchronization | Internal or Line Lock |
| Horizontal Resolution | 560 TV Lines [Color], 600 TV Lines [B&W] |
| Minimum Illumination | F1.2 (30IRE): 0.8 Lux [Color] F1.2 (30IRE): 0.08 Lux [B&W] |
| S/N Ratio | 50dB or More |
| Video Output | CVBS: 1.0Vp-p / 75 Ω |
| LENS | |
| Focal Length | 3.7mm |
| Lens Type | Fixed |
| OPERATIONAL | |
| Lens | Manual / DC |
| Shutter Speed | X2-X256, 1/60-1/100000 |
| Back Light Compensation | OFF / ON (1-255) |
| Wide Dynamic Range | OFF / ON (0-10) |
| Star-Light | OFF / X2-X256 |
| White Balance | AWC / ATW / MANUAL / PUSH |
| Day and Night | AUTO / COLOR / B&W |
| Mirror | OFF / ON |
| Sharpness | 0-49 |
| Gamma | USER / 0.45 / 0.60 / 1.00 |
| 3D Digital Noise Reduction | OFF / LOW / MIDDLE / HIGH |
| Digital Pan / Tilt / Zoom | -128~-127 / -82~-81 / X1.0~X3.0 |
| Highlight Masking Exposure | OFF / ON (0-60) |
| Digital Image Stabilizer | OFF / ON |
| Privacy Zones | OFF / ON (6 Programmable Zones) |
| Dead Pixel Cancellation | OFF / AUTO |
| Language | ENGLISH / CHINESE |
| OMNI Lens | OFF / 0-10 |
| ENVIRONMENTAL | |
| Operating Temperature | -10°C ~ 55°C (14°F ~ 131°F) |
| Operating Humidity | Less than 90% (Non-Condensing) |
| Storage Temperature | -20°C ~ 70°C (-4°F ~ 158°F) |
| ELECTRICAL | |
| Power Requirement | 10V ~ 16V |
| Power Consumption | Maximum 1.8W, 150mA |
| MECHANICAL | |
| Housing Material | Black Aluminum |
| Dimensions | 36 X 44.5 mm (1.42 X 1.75 in) |
| Weight | 0.19 lbs |

*Specification is subject to change without prior notice.