

DWC-P1357WD Minicam Camera

User Manual



ABOUT MANUAL

Before installing and using the camera, please read this manual carefully.
Be sure to keep it handy for future reference.

PRECAUTIONS

- Do not open or modify.
- Do not open the case except during maintenance and installation, for it may be dangerous and can cause damages.
- Do not put objects into the unit.
- Keep metal objects and flammable substances from entering the camera. It can cause fire, short-circuits, or other damages.
- Be careful when handling the unit.
- To prevent damages, do not drop the camera or subject it to shock or vibration.
- Do not install near electric or magnetic fields.
- Protect from humidity and dust.
- Protect from high temperature.
 - Be careful when installing near the ceiling of kitchen or a boiler room, as the temperature may rise to high levels.
- Cleaning
 - To remove dirt from the case, moisten a soft cloth with a soft detergent solution and wipe.
- Mounting Surface.
 - The material of the mounting surface must be strong enough to support the camera.

FCC COMPLIANCE

This equipment has been tested and found to comply with the limits for a Class B digital device, pursuant to part 15 of the FCC rules. These limits are designed to Provide reasonable protection against harmful interference. when the equipment is operated in a residential environment. This equipment generates, uses, and radiates radio frequency energy; and if it is not installed and used in accordance with the instruction manual, it may cause harmful interference to radio communications.

WARNING : Changes or modifications are not expressly approved by the manufacturer.

Table of Contents

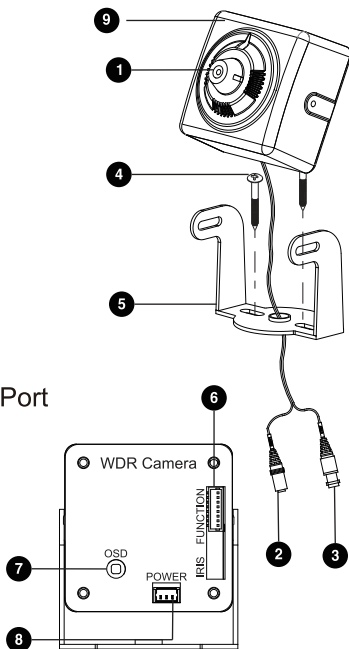
Introduction	Features	4
	Parts and Descriptions	5
	Dimensions	6
Installation	Included Accessories	7
	Mounting the Camera	8
	Connecting to Monitors	9
	Adjusting the Camera's Lens	10
	Camera's Control Board	11
Camera OSD Menu and Glossary		12-15
Troubleshooting		16
Warranty Information		17-18
Specifications		19

FEATURE*

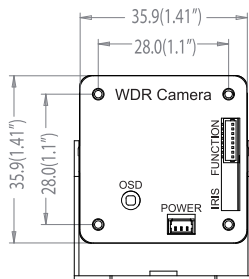
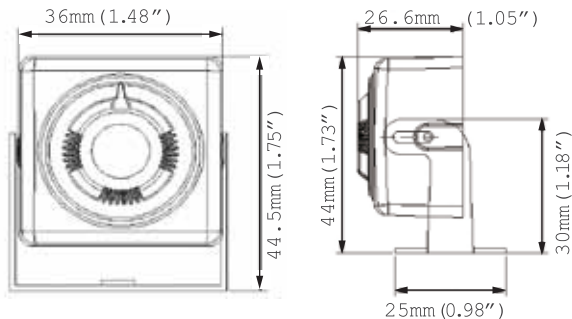
- 1/3" Sony Double Scan CCD
- 560TV Lines
- 3.7mm Fixed Lens
- WDR (Wide Dynamic Range)
- 3D DNR (Digital Noise Reduction)
- DIS (Digital Image Stabilizer)
- Star-Light (Super Low Light Technology)
- HME (Highlight Masking Exposure)
- Programmable Privacy Zones (6)
- Motion Detection
- Easy Icon Driven OSD Menu with Built-in Joystick
- Mirror function
- Low power consumption
- Wide Operating Voltage Range (8VDC-18VDC)

PART & DESCRIPTIONS*

- 1 Lens
- 2 Power Input Connector
12VDC ONLY
- 3 Primary Video BNC Output Connector
- 4 Mounting Screws
- 5 Mounting Bracket
- 6 Camera Control Board Connection Port
- 7 OSD Joystick Controller
- 8 Power Connection Port
- 9 Armord Housing



DIMENSIONS IN MILLIMETERS(INCHES)



INSTALLATION*

Included with DW Pipe Camera

1. User Manual
2. L-Wrench
3. 2nd Video Jack
4. Four(4) Screw and Four(4) Dry Wall Anchors

DWC-P1357WD Minicam Camera

User Manual



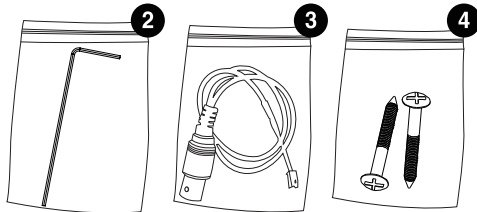
ABOUT MANUAL

Before installing and using the camera, please read this manual carefully.
Be sure to keep it handy for future reference.

02212012

DW DIGITAL WATCHDOG
Powering Up!

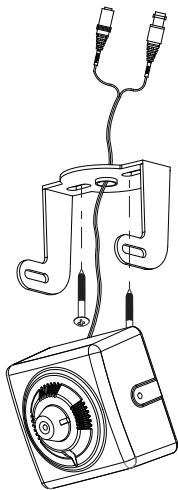
1



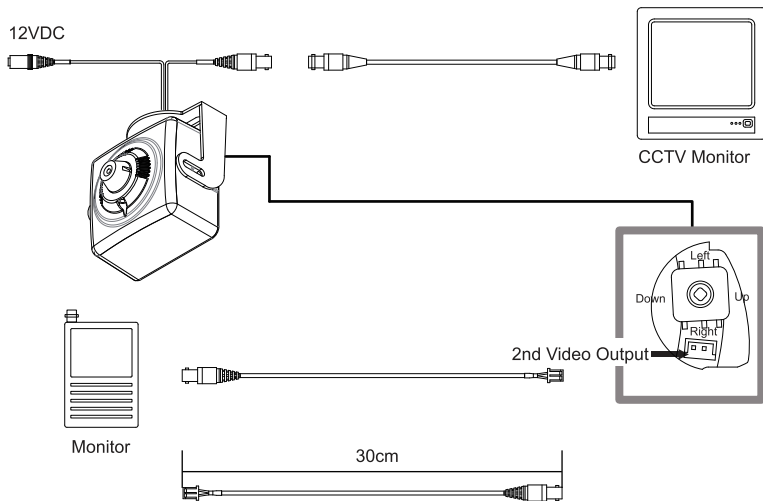
INSTALLATION*

Mounting the Camera

- 1 Pull wires through the bracket.
- 2 Mount 2 screws on the wall or ceiling.



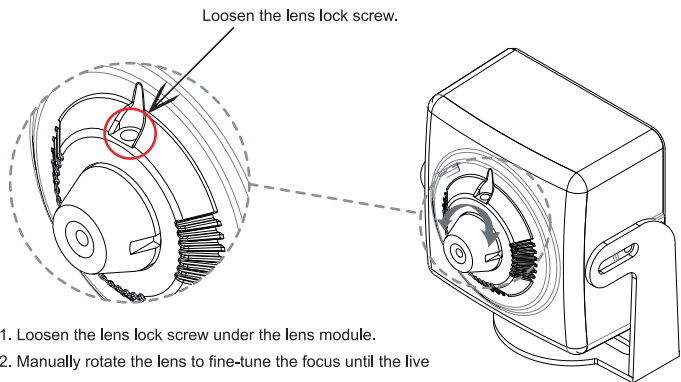
CONNECTING TO MONITORS*



CAUTION :

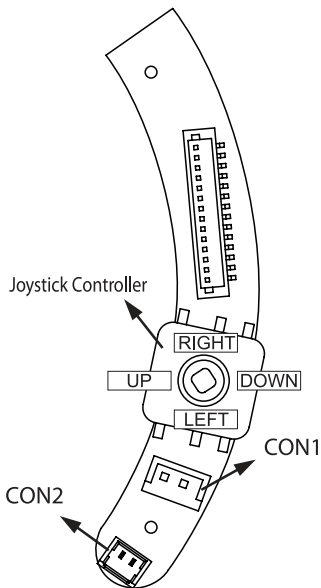
Check for polarity when using a DC 12V.

ADJUSTING THE CAMERA'S LENS*



1. Loosen the lens lock screw under the lens module.
2. Manually rotate the lens to fine-tune the focus until the live image is clear.
3. Once the desired adjustments have been made, please tighten the lens lock screw back.










CONTROL BOARD*



CONTROL BOARD FUNCTIONS

1. Joystick Controller - Functional control of O.S.D. (On Screen Display)
2. CON1 - Second Video Output Connector
3. CON2 - RS-485 Connector

MODULE OSD MENU AND GLOSSARY*

EXPOSURE		COLOR		DAY&NIGHT	
	<ul style="list-style-type: none"> └ LENS └ E.SHUTTER └ BLC └ WDR └ AGC └ SENSE-UP 		<ul style="list-style-type: none"> └ WB MODE └ R-Y GAIN └ B-Y GAIN 		<ul style="list-style-type: none"> └ D&N MODE └ C_SUP └ A_SUP
FUNCTION		MOTION		PRIVACY	
	<ul style="list-style-type: none"> └ MIRROR └ SHARPNESS └ GAMMA └ FREEZE └ NEGATIVE └ 3D DNR └ D-ZOOM └ SLC └ HME └ DIS 		<ul style="list-style-type: none"> └ MOTION └ SET WINDOW └ ALL SET └ ALL CLEAR └ SENSITI └ SHOW INDI └ DELAY OUT 		<ul style="list-style-type: none"> └ MASK 1 └ MASK 2 └ MASK 3 └ MASK 4 └ MASK 5 └ MASK 6
SYNC		SETUP		EXIT	
	<ul style="list-style-type: none"> └ SYNC MODE └ V-PHASE 		<ul style="list-style-type: none"> └ CAMERA ID └ TITLE └ DPC └ MONITOR └ LANGUAGE └ BAUDRATE └ OMNI LENS 		<ul style="list-style-type: none"> └ EXIT └ SAVE & EXIT └ FACTORY SET

EXPOSURE

Lens	DC (0 ~ 99)/ Manual (0~99) <small>Default: DC/40</small>
E.SHUTTER	1/60 / 1/100 / FLC / 1/250 ~ 100000 / SENS-UP x2 ~ x256 <small>Default: 1/60</small>
BLC (Back Light Compensation)	OFF / ON (0~255 for 5 setup areas) <small>Default: OFF</small> (Feature available when WDR is OFF)
WDR	OFF / ON (Level 0~10) <small>Default: ON/ Level 5</small>
AGC (Auto Gain Control)	HIGH / MIDDLE / LOW / OFF <small>Default: High</small>
SENSE-UP	OFF/ x2 ~ x256 <small>Default: X4</small>
EXIT JUMP	EXIT / SAVE&EXIT / FACTORY SET

COLOR

WB MODE	AWC / ATW / MANUAL / PUSH <small>Default: AWC</small>
R-Y GAIN	0 ~ 255 <small>Default: 125</small>
B-Y GAIN	0 ~ 255 <small>Default: 125</small>
EXIT JUMP	EXIT / SAVE&EXIT / FACTORY SET

DAY & NIGHT

D & N Mode	AUTO / COLOR / BW AUTO COLOR → BW : Switching from COLOR to BW. If the number is higher, the camera will only switch during a super low light condition. BW → COLOR : Switching from BW to COLOR. This number should be always lower than COLOR to BW Read Time : time interval to switch from COLOR to BW COLOR B/W : (BURST : OFF/ON) When the burst is OFF, the picture will have less noise.
C-SUP	Color Suppression : Color will be reduced at low illumination, if the C_SUP Level is higher. 0 ~ 100 (not available when 3D-DNR is on)
A-SUP	Aperture Suppression : Edge sharpness will be reduced at low illumination, if A_SUP Level is higher. 0 ~ 100 (not available when 3D-DNR is on)
EXIT JUMP	EXIT / SAVE&EXIT / FACTORY SET

FUNCTION

MIRROR	OFF / MIRROR / V-FLIP / ROTATE Default: OFF
SHARPNESS	0 ~ 49 Default: 17
GAMMA	0.45 ~ 1.00 / USER Default: 0,45
FREEZE	OFF / ON Default: OFF
NEGA.	OFF / ON Default: OFF
3D DNR (3D Digital Noise Reduction)	OFF / LOW / MIDDLE / HIGH Default: Middle
D-ZOOM	OFF / ON(x1.0 ~ x3.0 Digital Zoom) Default: OFF
SLC (Side Light Compensation)	OFF / ON (0~50) Default: OFF
HME (Highlight Masking Exposure)	OFF / ON (0~60) Default: OFF
DIS (Digital Image Stabilizer)	OFF / ON Default: OFF (Feature available only when WDR is OFF)
EXIT JUMP	EXIT / SAVE&EXIT / FACTORY SET

MOTION

MOTION	OFF / ON
	SET WINDOW
	ALL SET (Set the Entire Screen)
	ALL CLEAR (Clear the Entire Screen)
	SENSITI. (1 ~ 120) (Feature available only when Motion is ON)
	SHOW INDI. (OFF / ICON / TRACE) (Feature available only when Motion is ON)
	DELAY OUT(1 ~ 15) Motion Alarm Zoom-In Delay (Feature available only when Motion is ON)
EXIT JUMP	EXIT / SAVE&EXIT / FACTORY SET

PRIVACY

MASK 1	OFF / ON ↕
MASK 2	OFF / ON ↕
MASK 3	OFF / ON ↕
MASK 4	OFF / ON ↕
MASK 5	OFF / ON ↕
MASK 6	OFF / ON ↕
EXIT JUMP	EXIT / SAVE&EXIT / FACTORY SET

SYNC

SYNC MODE	INTER. / AUTO
V_PHASE	0 ~ 199 (Feature available when Sync Mode is AUTO)
EXIT JUMP	EXIT / SAVE&EXIT / FACTORY SET

SETUP

CAMERA ID	0 ~ 254 (RS485 ID) Default: 0
TITLE	OFF / ON Default: OFF
DPC (Dead Pixel Cancellation)	OFF / AUTO White Threshold (0~255) Default: 30 Black Threshold (0~255) Default: 50 DPC Threshold (0~255) Default: 80
MONITOR	CRT / LCD (Select LCD only if the camera is directly connected to LCD monitor.)
LANGUAGE	English / Chinese
BAUDRATE	2400 / 4800 / 9600 / 14400 / 19200 / 38400 Default: 38400 The protocol is Pelco-D. Fixed and cannot be changed.(Hardcoded onto the DSP.)
OMNI LENS	OFF / 0 (OMNI-Plus Camera Only) Default: OFF
EXIT JUMP	EXIT / SAVE&EXIT / FACTORY SET

EXIT

EXIT	Exit the menu
SAVE & EXIT	Exit the menu and save the setting
FACTORY SET	Reset the menu setting to factory default

TROUBLESHOOTING

Before sending your camera for repair, check the following or contact our technical specialist.

No VIDEO

Check the coaxial cable and make sure it is connected securely.

Check the lens' iris adjustment at the menu setup of the camera.

Check the power supply and make sure the camera has the proper voltage and current.

Out-of-Focus VIDEO

Check the clear dome cover and the lens for dirt or fingerprints. Use a soft cloth and gently clean.

Check the lens manual focal and zoom adjustment. Field test monitor is recommended.

WARRANTY INFORMATION*

Digital Watchdog (referred to as "the Warrantor") warrants Camera Series against defects in materials or workmanship as follows.

LABOR : For the initial five (5) years and one (1) year on LED from the date of original purchase, if the camera is determined to be defective, the Warrantor will repair or replace the unit, with new or refurbished product at its option, at no charge.

PARTS : In addition, the Warrantor will supply replacement parts for the initial five (5) years and one (1) year on LED.

To obtain warranty or out of warranty service, please contact a Technical Support Representative at **1-866-446-3595** Monday through Friday from 8:30AM to 8:00PM Eastern.

A purchase receipt or other proof of the original purchase date is required before warranty service is rendered. This warranty only covers failures due to defects in materials and workmanship which arise during normal use. This warranty does not cover damage that occurs in shipment or failures caused by products not supplied by the Warrantor or failures which result from accident, misuse, abuse, neglect, mishandling, misapplication, alteration, modification, faulty installation, set-up adjustments, improper antenna, inadequate signal pickup, maladjustment of consumer controls, improper operation, power line surge, improper voltage supply, lightning damage, rental use of the product or service by anyone other than an authorized repair facility or damage that is attributable to acts of God.

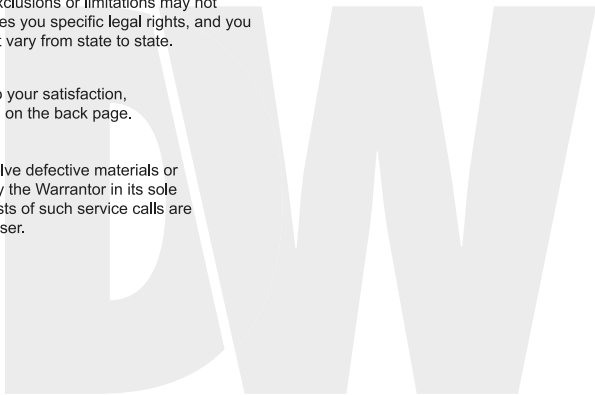
LIMITS AND EXCLUSIONS*

There are no express warranties except as listed above. The Warrantor will not be liable for incidental or consequential damages (including without limitation and damage to recording media) resulting from the use of these products, or arising out of any breach of the warranty. All express and implied warranties, including the warranties of merchantability and fitness for particular purpose, are limited to the applicable warranty period set forth above.

Some states do not allow the exclusion or limitation of incidental or consequential damages, or limitations on how long an implied warranty lasts, so the above exclusions or limitations may not apply to you. This warranty gives you specific legal rights, and you may also have other rights that vary from state to state.

If the problem is not handled to your satisfaction, then write to the Address listed on the back page.

Service calls which do not involve defective materials or workmanship as determined by the Warrantor in its sole discretion are not covered. Costs of such service calls are the responsibility of the purchaser.



SPECIFICATIONS*

TYPE	DWC-P1357WD
CCD TYPE	1/3" Double Scan CCD
Pixels	410K
Resolution	560 TV Line [Color] 600 TV Line [T.D.N (B/W)]
Min illumination	0.8 Lux (COLOR)
(F1.2, 30IRE)	0.08Lux [TDN (B/W)]
S/N ratio	52dB
GAMMA	0.45.
Shutter speed	1/60 [sec] ~ 1/100,000[sec]
Sense-up	x256
Motion Detection	16 x 15 Zone
D-Zoom	x3
WDR	On/Off
Mirror	Off / Mirror / V-Flip / Rotate
Privacy Masking Zone	6 Zone
Sync system	Internal or Line Lock
Voltage range	10.0[V] ~ 16.0[V]
Power consumption	MAX 1.8 [W]



5436 W Crenshaw St. Tampa, FL 33634

Tel : 866-446-3595 / 813-888-9555

Fax : 813-888-9262

www.Digital-Watchdog.com

technicalsupport@dwcc.tv

Technical Support Hours : Monday-Friday

8:30am to 8:00pm Eastern Time