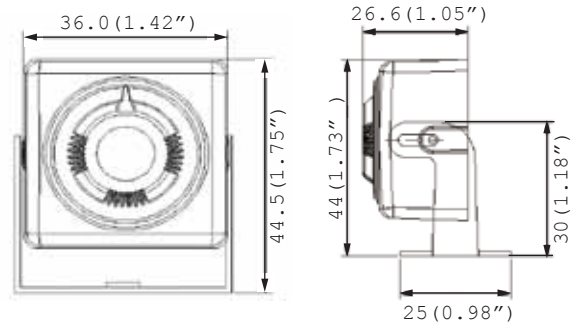




Dimensions (unit : mm)



Summary

The P1357WD is a high resolution color pinhole camera built with a 1/3" double scan CCD and 3.7mm board lens. Powered by our Infinity DSP technology, the camera utilizes Star-Light, WDR, DIS, and other great features to help produce clear 600 TVL images. The miniature size and high resolution image make the P1357WD an ideal addition to a variety of security applications, like ATMs, banks, gas station pumps, and any scenario where concealed video recording is the optimal solution.

Features

- 1/3" Sony Double Scan CCD
- 600 TV Lines
- 3.7mm Fixed Lens
- Electronic Day and Night
- WDR (Wide Dynamic Range)
- 3D-DNR (3D Digital Noise Reduction)
- DIS (Digital Image Stabilizer)
- Star-Light (Super Low Light Technology)
- HME (Highlight Masking Exposure)
- Programmable Privacy Zones (6) & Motion Detection
- Easy Icon Driven OSD Menu with Built-in Joystick
- Wide Operating Voltage
- Low Power Consumption

Specifications

VIDEO	
Image Sensor	1/3" Sony Double Scan CCD
Total Pixels	811 (H) x 508 (V), 411K Pixels
Effective Pixels	768 (H) x 494 (V)
Frequency	15.734KHz (H), 59.95Hz (V)
Synchronization	Internal or Line Lock
Horizontal Resolution	560 TV Lines [Color], 600 TV Lines [B&W]
Minimum Illumination	F1.2 (30IRE): 0.8 Lux [Color] F1.2 (30IRE): 0.08 Lux [B&W]
S/N Ratio	50dB or More
Video Output	CVBS: 1.0Vp-p / 75 Ω
LENS	
Focal Length	3.7mm
Lens Type	Fixed
OPERATIONAL	
Lens	Manual / DC
Shutter Speed	X2-X256, 1/60-1/100000
Back Light Compensation	OFF / ON (1-255)
Wide Dynamic Range	OFF / ON (0-10)
Star-Light	OFF / X2-X256
White Balance	AWC / ATW / MANUAL / PUSH
Day and Night	AUTO / COLOR / B&W
Mirror	OFF / ON
Sharpness	0-49
Gamma	USER / 0.45 / 0.60 / 1.00
3D Digital Noise Reduction	OFF / LOW / MIDDLE / HIGH
Digital Pan / Tilt / Zoom	-128~-127 / -82~-81 / X1.0~X3.0
Highlight Masking Exposure	OFF / ON (0-60)
Digital Image Stabilizer	OFF / ON
Privacy Zones	OFF / ON (6 Programmable Zones)
Dead Pixel Cancellation	OFF / AUTO
Language	ENGLISH / CHINESE
OMNI Lens	OFF / 0-10
ENVIRONMENTAL	
Operating Temperature	-10°C ~ 55°C (14°F ~ 131°F)
Operating Humidity	Less than 90% (Non-Condensing)
Storage Temperature	-20°C ~ 70°C (-4°F ~ 158°F)
ELECTRICAL	
Power Requirement	10V ~ 16V
Power Consumption	Maximum 1.8W, 150mA
MECHANICAL	
Housing Material	Black Aluminum
Dimensions	36 X 44.5 mm (1.42 X 1.75 in)
Weight	0.19 lbs

*Specification is subject to change without prior notice.