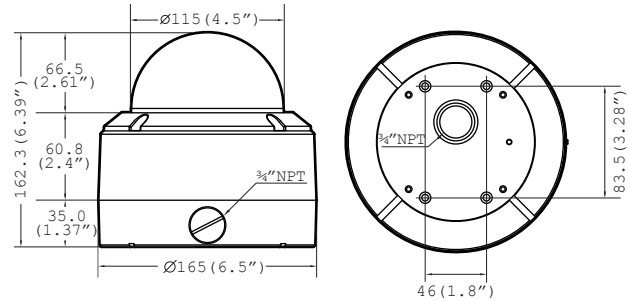




Effio-P™



Dimensions (unit : mm)



Summary

The PTZ12X is a powerful Mini-PTZ that produces clear and precise 700TVL images during the day and 750TVL images during the night. It offers image enhancing features like Wide Dynamic Range, Star-Light Low Light Technology, and 3D Digital Noise Reduction. The Digital Watchdog 12X PTZ camera will lead the market in performance, size, flexibility, reliability, and cost.

Features

- 1/4" Sony Super HAD (Double Scan) CCD II
- 750 TV Lines [B&W], 700 TV Lines [Color]
- 3.8~45.6mm Autofocus Lens
- 12X Optical Zoom, 32X Digital Zoom
- Auto Day and Night with IR Cut Filter
- WDR (Wide Dynamic Range)
- 3D-DNR (3D Digital Noise Reduction)
- Star-Light (Super Low Light Technology)
- DSS (Digital Slow Shutter)
- Programmable Privacy Zones (8) & Motion Detection
- Pan 0~360° Endless; 360° Per Second Pan Speed
- Vector Drive Technology (Pan/Tilt in Shortest Path)
- 128 Preset Positions with Alphanumeric Labels
- 4 Patterns, 8 Scans, and 8 Groups
- RS-485 Communication
- IP66 Certified (Weatherproof)
- Heater and Fan Built-in
- Sunshield Cover (Optional)

Accessories (Optional)



Specifications

VIDEO	
Image Sensor	1/4" Sony Super HAD (Double Scan) CCD II
Effective Pixels	1028 (H) x 508 (V), 520K
Horizontal Resolution	750 TV Lines [B&W], 700 TV Lines [Color]
Minimum Illumination	Color: 0.5 Lux, 0.001 Lux [DSS ON] B&W: 0.2 Lux, 0.0004 Lux [DSS OFF]
S/N Ratio	50dB (AGC off)
Video Output	CVBS: 1.0Vp-p / 75 Ω
LENS	
Focal Length	F1.6 (W) ~ F2.7 (T) f = 3.8mm (W) ~ 45.6mm (T)
Focus	Auto / Semi-Auto / Manual
Zoom	12X Optical, 32X Digital
OPERATIONAL	
Digital Slow Shutter	x2 ~ x512 / 1/60 ~ 1/100000
3D Digital Noise Reduction	OFF / ON
Wide Dynamic Range	OFF / ON
Day and Night	AUTO / DAY / NIGHT
Auto Gain Control	AUTO / MANUAL / MAX GAIN LIMIT
White Balance	ATW / AWC / MANUAL / INDOOR / OUTDOOR / OUT. AUTO
Motion Detection	Available
Privacy Zones	OFF / ON (8 Programmable Zones)
Highlight Compensation	OFF / ON
PAN / TILT	
Range	Pan: 360° Endless Tilt: 180° (Auto-Flip On), 90° (Auto-Flip Off)
Speed	360°/sec for Presets; 1~180°/sec for Scans; 0.05~360°/sec for Manual Adjustments
Presets	128 with Alphanumeric Labels
Scans	8
Patterns	4 (1000 Commands/Pattern)
Groups	8 (20 Actions/Group)
Schedules	7
GENERAL	
Sensor In / Out	2 In / 1 Out
Operating Temperature	-10oC ~ 50oC (14oF ~ 122oF)
Approvals	FCC, CE, RoHS, IP66 (Protects against dust and high pressure water.)
Power Requirement	Dual (12VDC & 24VAC)
Power Consumption	12VDC: 12W, 1A , Fan ON: 1.63A, Fan+Heater ON: 2.5A 24VAC: 12W, 500mA, Fan ON: 1A, Fan+Heater ON: 1.5A
Housing Material	Aluminum Die-casting
Bubble Dome Material	Polycarbonate
Dimensions	165 x 162.3 mm (6.5 x 6.39 in)
Weight	6.61 lbs , 3kg

*Specification is subject to change without prior notice.