

Super Speed Dome

39X Optical Zoom, 12X Digital Zoom

For Parapet Mount



360° LIMITLESS

ALL-IN-ONE

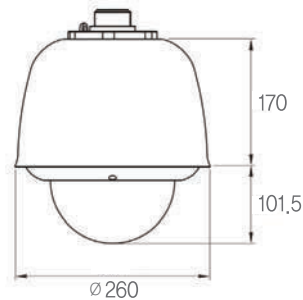
Pan Tilt Zoom Dome Camera and Wiring Module

DWC-PTZ39XAL

Super Speed Dome PTZ39XAL



Dimensions (Unit : mm)



Summary

The PTZ39XAL is a high performance, Super Speed Dome camera built with a 39X optical zoom lens and our distinguished Star-Light technology. The PTZ39XAL includes our wiring module and should be purchased with our parapet mount.

Accessories

DWC-P39PARAM Parapet Mount

Features

- 1/4" EX-View HAD PS CCD
- 560 TV Lines
- 39X Optical Zoom, 12X Digital Zoom with Auto Focus
- Auto Day and Night with IR Cut Filter
- Pan 0 ~ 360° Endless
- 360° Per Second Pan Speed
- Vector Drive Technology (Pan/Tilt Motion in Shortest Path)
- WDR (Wide Dynamic Range)
- DIS (Digital Image Stabilizer)
- Star-Light (Super Low Light Technology)
- DSS (Digital Slow Shutter)
- 3D-DNR (3D Digital Noise Reduction)
- AGC / BLC / AWB
- RS485 Communication
- 7 Rules of Time and Day Schedule
- 127 Preset Positions
- 12 Privacy Zones
- 4 Patterns of Camera Trajectory
- 8 Alarm Sensor Input and 4 Relay Output
- IP66 Certified
- Heater and Fan Built-in
- 2 Year Limited Warranty
2 Year for Junction Box
1 Year for PTZ Zoom Module

Specifications

Model		PTZ39XAL
Camera Type	Color/BW	PTZ Dome Camera
Image	Sensor	1/4" EX-View HAD PS CCD
	Pixels – Total	811 (H) X 508 (V), 410 K
	Pixels – Effective	768 (H) X 494 (V), 380K
Minimum Illumination	IR-LED On	F1.6: 1.2 Lux [Color], 0.12 Lux [B/W]
Lens	Focal Length	Auto Iris Lens 3.4 ~ 132.6mm
	Zoom	39X Optical, 12X Digital
	Angle of View	H: 57.54° (W) ~ 1.56° (T) V: 44.44° (W) ~ 1.16° (T)
Resolution	Horizontal	560 TV Lines [Color], 600 TV Lines [B/W]
Video Output	VBS 1.0Vp-p	75 Ohm
S/N Ratio	S/N Ratio	52 dB
Pan Tilt	Range	Pan: 0 ~ 360° Endless Preset: 360° / SEC
	Speed	Manual: 0.05 ~ 200° / SEC Scan: 1° ~ 180° / SEC
	Preset	#1 ~ 128, #95 Set for OSD Menu
	Other Features	Pattern, Scan, Group, Schedule, Image Auto-Flip, Auto Parking, Power-up, etc
Environmental Conditions	Operating Temperature	-45°C ~ 50°C (-49°F ~ 122°F)
Power	Power Requirement	AC24V
	Power Consumption	24W, 1.0A / HEATER ON: 57W, 2.4A
Physical	Dimensions	260 x 552 x 405 mm (10.2 x 21.7 x 15.9 in)
	Weight	12.8 lbs
	Nema Type	IP66

(*) Specification is subject to change without prior notice.

