



5436 W Crenshaw St. Tampa, FL 33634
Tel: 866-446-3595 / 813-888-9555
Fax: 813-888-9262
www.Digital-Watchdog.com
technicalsupport@dwcc.tv
Technical Support Hours: Monday-Friday
8:30am to 8:00pm Eastern Time

V1362DIR / V1363TIR / V1382TIR / V1382TIRH / V1365T Vandal Dome Camera

User Manual



ABOUT MANUAL

Before installing and using the camera, please read this manual carefully.
Be sure to keep it handy for future reference.

PRECAUTIONS

- Do not open or modify.
- Do not open the case except during maintenance and installation, for it may be dangerous and can cause damages.
- Do not put objects into the unit.
- Keep metal objects and flammable substances from entering the camera. It can cause fire, short-circuits, or other damages.
- Be careful when handling the unit.
- To prevent damages, do not drop the camera or subject it to shock or vibration.
- Do not install near electric or magnetic fields.
- Protect from humidity and dust.
- Protect from high temperature.
- Be careful when installing near the ceiling of a kitchen or a boiler room, as the temperature may rise to high levels.
- Cleaning
 - To remove dirt from the case, moisten a soft cloth with a soft detergent solution and wipe.
- Mounting Surface
 - The material of the mounting surface must be strong enough to support the camera.

TROUBLESHOOTING

Before sending your camera out for repair, check the items below. If the problem persists after checking these items, contact your service center.

▪ No Video

Check the coaxial cable and make sure it is connected securely.
Check the lens' iris adjustment at the menu setup of the camera.
Check the power supply and make sure the camera has the proper voltage and current.

▪ Out-of-Focus Video

Check the clear dome cover and the lens for dirt or fingerprints. Use a soft cloth and gently clean.
Check the lens manual focal and zoom adjustment. Field test monitor is recommended.

FEATURES*-V1362DIR

- 1/3" Sony Super HAD II CCD
- 540 TV Lines
- 3.3 ~ 12mm Varifocal Auto Iris Lens
- 100ft Range IR with Intelligent Camera Sync
- Electronic Day and Night
- DRC (Dynamic Range Compressor)
- HME (Highlight Masking Exposure)
- SLC (Side Light Compensation)
- AGC / BLC / AWB
- Negative Imaging
- Mirror Image Control
- RS485 Built-In
- Programmable Privacy Zone (4) & Motion Detection
- Easy Icon Driven OSD Menu with Built-In Joystick
- Secondary Video-BNC Output

FEATURES*-V1363TIR

- 1/3" High Resolution CCD
- High Resolution 560 TV Lines
- 3.3 ~ 12mm Varifocal Auto Iris Lens
- Electronic Day and Night
- 100ft Range IR with Intelligent Camera Sync
- True Day and Night / TDN5
- Star-Light (Super Low Light Technology)
- DRC (Dynamic Range Compressor)
- 3D-DNR (3D Digital Noise Reduction)
- HME (Highlight Masking Exposure)
- Negative Imaging
- AGC / BLC / AWB
- Programmable Privacy Zone (6) & Motion Detection
- Easy Icon Driven OSD Menu with Built-In Joystick
- Auto Sensing 12VDC or 24VAC with Line Lock
- Secondary Video-BNC Output

FEATURES*-V1382TIR

- 1/3" Sony Super HAD II CCD
- High Resolution 560 TV Lines
- OMNI-Focus 2.9~8.5mm 3X Motorized Zoom, Auto Iris 70ft Range IR with Intelligent Camera Sync
- True Day & Night / TDNS (Electro Magnetic Mechanism)
- Max-DR (Electronic Wide Dynamic Range)
Enables the camera to capture perfect images in both bright and dark environments simultaneously.
- 3D-DNR (3D Digital Noise Reduction)
Produces less noise and more color during low-light application.
- HME (Highlight Mask Exposure)
Masks overly exposed light to produce a true video image of any environment.
- SLC (Side Light Compensation)
- DIS (Digital Image Stabilizer)
- RS485 Built-In
- Programmable Privacy Zone (6) & Motion Detection Easy Icon Driven OSD Menu with Built-In Joystick
- Auto Sensing 12VDC or 24VAC with Line Lock
- No Fog or Condensation under Any Weather Condition

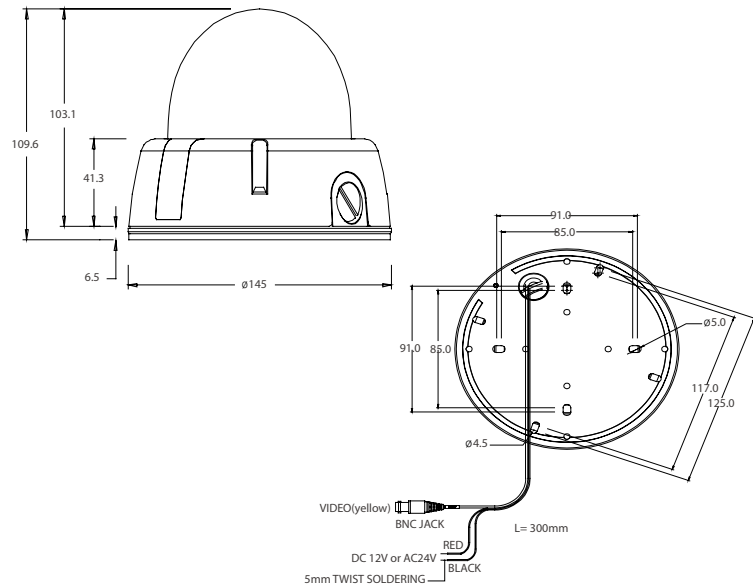
FEATURES*-V1382TIRH

- 1/3" Sony Super HAD II CCD
- High Resolution 560 TV Lines
- OMNI-Focus 2.9~8.5mm 3X Motorized Zoom, Auto Iris 70ft Range IR with Intelligent Camera Sync
- True Day & Night / TDNS (Electro Magnetic Mechanism)
- Max-DR (Electronic Wide Dynamic Range)
Enables the camera to capture perfect images in both bright and dark environments simultaneously.
- 3D-DNR (3D Digital Noise Reduction)
Produces less noise and more color during low-light application.
- HME (Highlight Mask Exposure)
Masks overly exposed light to produce a true video image of any environment.
- SLC (Side Light Compensation)
- DIS (Digital Image Stabilizer)
- RS485 Built-In
- Programmable Privacy Zone (6) & Motion Detection Easy Icon Driven OSD Menu with Built-In Joystick
- Auto Sensing 12VDC or 24VAC with Line Lock
- Built-in Heater , Withstand Temperatures as Low as -40°F
- No Fog or Condensation under Any Weather Condition

FEATURES* -V1365T

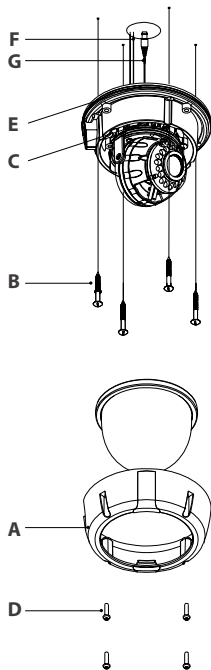
- 1/3" Pixim Seawolf CMOS Sensor
- 690 Horizontal TV Lines
- 3.3 ~ 12mm Varifocal Auto Iris Lens
- TDN (True Day and Night/IR Cut Filter)
- 3D-DNR (3D Digital Noise Reduction)
- Powerful Wide Dynamic Range
- Smear Canceling Circuit
- AGC / BLC / AWB
- DIS (Digital Image Stabilizer)
- HME (Highlight Masking Exposure)
- HME (Highlight Masking Exposure)
- AGC / BLC / AWB
- Programmable Privacy Zone (6) & Motion Detection
- Easy Icon Driven OSD Menu with Built-in Joystick
- Low Power Consumption
- Auto Sensing 12VDC/24VAC with Line Lock
- Secondary Video-BNC Output

DIMENSION (mm)*

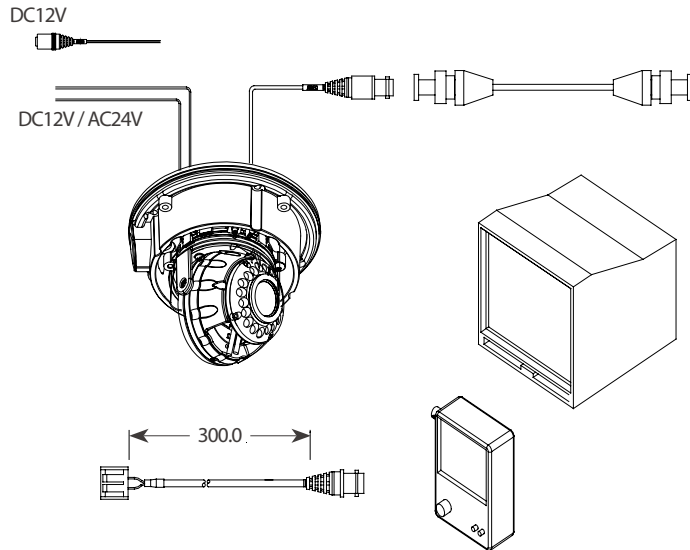


INSTALLATION*

- A. Loosen the Fixing Screw (D), using a screw driver.
- B. Separate the Upper Case (A) and the Base (E).
- C. Detach the Gimbal (C) from the Base (E).
- D. Cut a hole in the ceiling for routing the cables.
- E. Place the Base (E) horizontally against the ceiling and drill the screw holes at the two marked positions.
- F. Pass the Power Cable (F) and Video Cable (G) from the camera unit through the cable hole in the ceiling.
- G. Align the screw holes of the camera unit with the holes in the ceiling. Secure the camera to the ceiling with the two screws.
- H. Fix Gimbal (C) to the Base (E).
- I. Install and adjust the camera unit.
- J. Adjust the dome liner to show the lens through the camera window, and then fix it to the Base (E).
11. Attach the Upper Case (A) with the Base (E) and tighten Loosen the Fixing Screw (D).



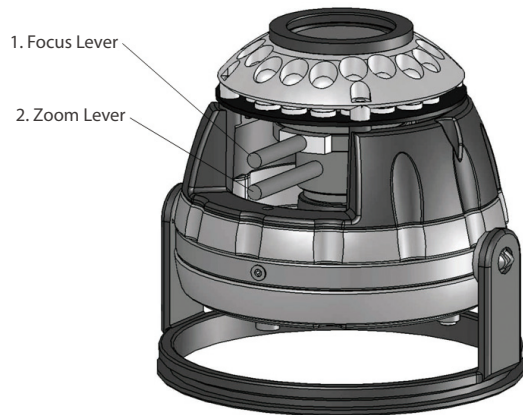
CONNECTION*



CAUTION : Check for polarity when using a DC12V power supply.

CAMERA SETTING*

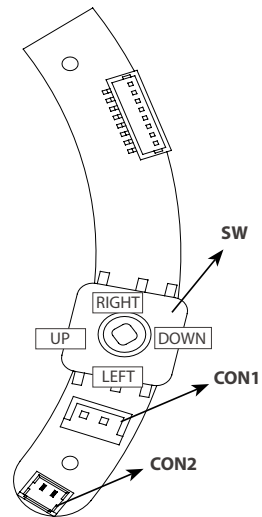
■ LENS ADJUSTMENT



1. Set the zoom level to the desired position by moving the Zoom Lever.
2. Set the focus, using the Focus Lever.

CAMERA SETTING FOR SIDE OSD CONTROL BOARD*

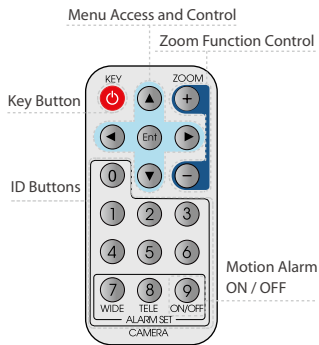
: V1362DIR, V1363TIR, V1382TIR, V1382TIRH, V1365T



FUNCTIONAL OF CONTROL BOARD

- [1] SW
Functional control of O.S.D(On Screen Display)
- [2] CON1
Second Video output connector
- [3] CON2
RS-485 connector

REMOTE CONTROL* -V1382TIR, V1382TIRH



■ REMOTE CONTROL Instructions

1. Set the Camera iD in the OSD menu. The default setting is 001. **NOTE:** If the Camera ID is modified, you must reset the power for the new settings to apply. Once you reset the power, the camera will recognize the new Camera ID.
2. If you press the KEY Button, the camera display will turn into the standby image. **NOTE:** The LED flicker for approximately 20 seconds.
3. Input the same number used as the Camera ID to the Remote Controller. After the number has been input, the LED light will turn on, and the remote controller will be ready to use. **NOTE:** The ID number is 3 digits.
4. The ZOOM In (+) and ZOOM Out (-) Keys are used to control the zoom of your camera lens and to select the zoom area of alarm function. Select the area where you wish to observe the movement of objects.
5. Select the zoom range by pressing the WIDE (7) Key. Save the zoom range by pressing the TELE (8) Key. **NOTE:** If the zoom range is smaller than the alarm standby range, the zoom range setting will not be saved.

NOTE: PRESS [KEY+ID]
 (DEFAULT IS "001" FOR ID=1)
 PRESS [ENT] TO ACCESS THE MENU
NOTE: THE CAMERA ID IS A 3-DIGIT NUMBER.

MODULE OSD MENU* -V1362DIR

EXPOSURE	COLOR	DAY&NIGHT
<ul style="list-style-type: none"> — BRIGHTNESS — SHUTTER — BLC — AGC 	<ul style="list-style-type: none"> — WB MODE 	<ul style="list-style-type: none"> — D&N MODE
FUNCTION	MOTION	PRIVACY
<ul style="list-style-type: none"> — MIRROR — SHARPNESS — GAMMA — SLC — HME — DRC 	<ul style="list-style-type: none"> — ALARM 	<ul style="list-style-type: none"> — MASK 1 — MASK 2 — MASK 3 — MASK 4 — COLOR SET
SYNC	SETUP	EXIT
<ul style="list-style-type: none"> — SYNC 	<ul style="list-style-type: none"> — CAMERA ID — TITLE EDIT — TITLE RESET — TITLE POSITION — DPC SET — LANGUAGE — PC CONT. 	<ul style="list-style-type: none"> — EXIT — SAVE & EXIT — FACTORY RESET

OSD MENU* -V1362DIR

EXPOSURE	
BRIGHTNESS	MANUAL (ELC LEVEL : 0 ~ 100) / DC (DC LEVEL : 0 ~ 31)
SHUTTER	1/60, 1/100FLC, 1/120 ~ 1/100000
BLC	OFF / ON BLC (Back Light Compensation)
AGC	OFF / 12dB ~ 36dB AGC (Auto Gain Control)
EXIT JUMP	EXIT / SAVE&EXIT / FACTORY SET
COLOR	
WB MODE	AWC / ATW / MANuAL / PUSHLOCK (AWC is recommended.)
R-Y GAIN	0 ~ 255
B-Y GAIN	0 ~ 255
DAY & NIGHT	
Day & Night Mode	AUTO / COLOR / BW COLOR---->BW : Switching from COLOR to BW; If the number is higher, the camera will only switch during a super low light condition.
	BW ---->COLOR : Switching from BW to COLOR; This number should be always lower than COLOR to BW
	Read Time : time interval to switch from COLOR to BW
	COLOR:
	B&W BURST(OFF/ON) ; When the burst is OFF, the picture will have less noise.
EXIT JUMP	EXIT / SAVE&EXIT / FACTORY SET

FUNCTION	
MIRROR	OFF/ MIRROR
SHARPNESS	0 ~ 49
GAMMA	USER / 0.45 / 0.6 / 1.00
SLC	OFF / ON (0 ~ 50) SLC (Side Light Compensation)
HME	OFF / ON (0 ~ 55) HME (Highlight Masking Exposure)
DIS	OFF / ON DIS (Digital Image Stabilizer)
EXIT JUMP	EXIT / SAVE&EXIT / FACTORY SET
MOTION (OMNI-Plus Cameras Only)	
MOTION	OFF / ON
	SET WINDOW
	ALL SET (Set the Entire Screen)
	ALL CLEAR (Clear the Entire Screen)
	SENSITIVITY (0 ~ 55)
	SHOW INDICATOR (OFF / ICON / TRACE)
	DELAY OUT(1 ~ 15) Motion Alarm Zoom-In Delay
EXIT JUMP	EXIT / SAVE&EXIT / FACTORY SET

MODUEL OSD MENU* -V1363TIR

PRIVACY	
MASK 1	OFF / ON ↵
MASK 2	OFF / ON ↵
MASK 3	OFF / ON ↵
MASK 4	OFF / ON ↵
COLOR SET	BLACK / GRAY / COLOR 1~6
EXIT JUMP	EXIT / SAVE&EXIT / FACTORY SET
SYNC	
SYNC MODE	INTERNAL / AUTO
V-PHASE	0 ~ 199
EXIT JUMP	EXIT / SAVE&EXIT / FACTORY SET
SETUP	
CAMERA ID	0 ~ 255
TITLE EDIT	
TITLE RESET	
TITLE POS.	
DPC	OFF / ON DPC (Dead Pixel Cancellation)
LANGUAGE	English / Chinese
PC CONT.	OFF / ON
EXIT JUMP	EXIT / SAVE&EXIT / FACTORY SET
EXIT	
EXIT	Exit the menu
SAVE&EXIT	Exit the menu and save the setting
FACTORY SET	Reset the menu setting to factory default

EXPOSURE	COLOR	DAY&NIGHT
<ul style="list-style-type: none"> — BRIGHTNESS — AE PREFERENCE — BLC / HME — AGC — STARLIGHT — NIGHT-UP 	<ul style="list-style-type: none"> — WB MODE — R-Y GAIN — B-Y GAIN 	<ul style="list-style-type: none"> — D&N MODE — C_SUP — A_SUP
FUNCTION	MOTION	PRIVACY
<ul style="list-style-type: none"> — MIRROR — SHARPNESS — GAMMA — FREEZE — NEGATIVE — D-ZOOM — 3D DNR — DRC 	<ul style="list-style-type: none"> — MOTION 	<ul style="list-style-type: none"> — PRIVACY
SYNC	SETUP	EXIT
<ul style="list-style-type: none"> — SYNC 	<ul style="list-style-type: none"> — TITLE EDIT — PC CONTROL — LANGUAGE — MONITOR — OSD COLOR — OMNI LENS 	<ul style="list-style-type: none"> — EXIT — SAVE & EXIT — FACTORY RESET

OSD MENU* -V1363TIR

EXPOSURE	
BRIGHTNESS	0 ~ 100
SHUTTER	1/60 / FLK / 1/250 ~ 10000 / SENS-UP x2 ~ x256
BLC/HME	OFF / BLC / HME
AGC	HIGH / MIDDLE / LOW / OFF AGC(Auto Gain Control)
STARLIGHT	AUTO(x2 ~ x256) / OFF
NIGHT-UP	NORMAL / HIGH
EXIT JUMP	EXIT / SAVE&EXIT / FACTORY SET
COLOR	
WB MODE	AWC / AWT / PUSH LOCK / MANUAL / INDOOR / OUTDOOR
R-Y GAIN	0 ~ 100
B-Y GAIN	0 ~ 100
EXIT JUMP	EXIT / SAVE&EXIT / FACTORY SET
DAY & NIGHT	
Day & Night Mode	<p>AUTO : READ TIME(3~63) / S-LEVEL(0~100) / E-LEVEL(0~100) COLOR---->BW : Switching from COLOR to BW; If the number is higher, the camera will only switch during a super low light condition BW ---->COLOR : Switching from BW to COLOR; This number should be always lower than COLOR to BW Read Time : time interval to switch from COLOR to BW</p> <p>COLOR B&W Mode : BURST (OFF / ON) There is less noise when the BURST is OFF. SMART IR (OFF / ON)</p>
C-SUP	Color Suppression : Color will be reduced at low illumination, if the C-SUP Level is set higher. 0 ~ 63
A-SUP	Aperture Suppression : The sharpness of the edges will be reduced at low illumination, if A-SUP level is set higher. 0 ~ 15
EXIT JUMP	EXIT / SAVE&EXIT / FACTORY SET

FUNCTION	
MIRROR	OFF/MIRROR/V-FLIP/ROTATE
SHARPNESS	0 ~ 31
GAMMA	0.05 ~ 1.00 / USER
FREEZE	OFF / ON
NEGATIVE	OFF / ON
D-ZOOM	OFF / ON (x1.0 ~ x32 PTZ)
3D-DNR	ON (0~100) / OFF 3D Digital Noise Reduction
DRC	OFF / INDOOR / OUTDOOR Dynamic Range Compressor
EXIT JUMP	EXIT / SAVE&EXIT / FACTORY SET
MOTION (OMNI-Plus Camera Only)	
MOTION	OFF ON AREA SELECT (AREA 1~4) AREA SET (POSITION / SIZE) SENSITIVITY (0~40) MOTION TRACE (OFF / ON) MOTION VIEW (OFF / ON) RETURN
EXIT JUMP	EXIT / SAVE&EXIT / FACTORY SET
PRIVACY	
PRIVACY	OFF ON AREA SELECT (1~8) AREA SET (POSITION / SIZE) COLOR (0~15) RETURN
EXIT JUMP	EXIT / SAVE&EXIT / FACTORY SET

MODUEL OSD MENU* -V1382TIR, V1382TIRH

SYNC	
SYNC	INTERNAL / AUTO
EXIT JUMP	EXIT / SAVE & EXIT / FACTORY SET
SETUP	
TITLE EDIT	OFF / ON
PC CONTROL (RS485 Control)	CAM ID / ID DISPLAY (OFF/ON) / BAUDRATE (2400 / 4800 / 9600) The protocol is PELCO-D.
LANGUAGE	ENG / KOR / JPN / CHN1 / CHN2 / RUS / FRAN / SPAN / ITAL
MONITOR	CRT / LCD Select LCD only if the camera is directly connected to the LCD monitor.
OSD COLOR	0 ~ 15
OMNI LENS	OFF (OMNI-Plus Camera Only)
	ON ALARM / READ TIME / ALARM ZOOM / STAND BY / RETURN
DEFECT	WHITE DEFECT CANCEL MODE
EXIT JUMP	EXIT / SAVE&EXIT / FACTORY SET
EXIT	
EXIT	
SAVE&EXIT	
FACTORY SET	

EXPOSURE		COLOR		DAY&NIGHT	
	<ul style="list-style-type: none"> — BRIGHTNESS — SHUTTER — BLC — AGC — MAX_DR — STARLIGHT 		<ul style="list-style-type: none"> — WB MODE — R-Y GAIN — B-Y GAIN 		<ul style="list-style-type: none"> — D&N MODE — C_SUP — A_SUP
FUNCTION		MOTION		PRIVACY	
	<ul style="list-style-type: none"> — MIRROR — SHARPNESS — GAMMA — FREEZE — NEGATIVE — 3D DNR — D-ZOOM — SLC — HME — DIS 		— MOTION		<ul style="list-style-type: none"> — MASK 1 — MASK 2 — MASK 3 — MASK 4 — MASK 5 — MASK 6
SYNC		SETUP		EXIT	
	— SYNC		<ul style="list-style-type: none"> — CAMERA ID — TITLE — DPC — MONITOR — LANGUAGE — BAUDRATE — OMNI LENS 		<ul style="list-style-type: none"> — EXIT — SAVE & EXIT — FACTORY RESET

OSD MENU* -V1382TIR, V1382TIRH

EXPOSURE	
BRIGHTNESS	0 ~ 99
SHUTTER	1/60, 1/100FLC, 1/120~1/100000
BLC	OFF / ON BLC (Back Light Compensation)
AGC	HIGH / MIDDLE / LOW / OFF AGC(Auto Gain Control)
MAX_DR	OFF / ON (0~20) (Electronic Wide Dynamic Range)
STARLIGHT	AUTO (x2 ~ x256) / OFF (x32 is recommended for low light application.)
EXIT JUMP	EXIT / SAVE&EXIT / FACTORY SET
COLOR	
WB MODE	AWC / ATW / MANUAL / PUSHLOCK (AWC is recommended.)
R-Y GAIN	0 ~ 255
B-Y GAIN	0 ~ 255
EXIT JUMP	EXIT / SAVE&EXIT / FACTORY SET
DAY & NIGHT	
Day & Night Mode	AUTO : READ TIME(3~63) / S-LEVEL(0~100) / E-LEVEL(0~100) COLOR---->BW : Switching from COLOR to BW; If the number is higher, the camera will only switch during a super low light condition BW---->COLOR : Switching from BW to COLOR; This number should be always lower than COLOR to BW Read Time : time interval to switch from COLOR to BW COLOR BW : BURST (OFF / ON); When the BURST is OFF, the picture will have less noise.
C-SUP	Color Suppression : Color will be reduced at low illumination, if the C_SUP Level is higher / 0 ~ 100. (Not available when 3D-DNR is ON.)
A-SUP	Aperture Suppression : Edge sharpness will be reduced at low illumination, if A_SUP Level is higher / 0 ~ 100. (Not available when 3D-DNR is ON.)
EXIT JUMP	EXIT / SAVE&EXIT / FACTORY SET

FUNCTION	
MIRROR	OFF/MIRROR/V-FLIP/ROTATE
SHARPNESS	0 ~ 49
GAMMA	0.05 ~ 1.00 / USER
FREEZE	OFF / ON
NEGATIVE	OFF / ON
3D-DNR	OFF / LOW / MIDDLE / HIGH 3D DNR (3D Digital Noise Reduction)
D-ZOOM	OFF / ON(x1.0 ~ x3.0 Digital PTZ)
SLC	OFF / ON SLC (Side Light Compensation)
HME	OFF / ON HME (Highlight Masking Exposure)
DIS	OFF / ON DIS (Digital Image Stabilizer)
EXIT JUMP	EXIT / SAVE&EXIT / FACTORY SET
MOTION (OMNI-Plus Camera Only)	
	OFF / ON
	SET WINDOW
	ALL SET (Set the Entire Screen)
MOTION	ALL CLEAR (Clear the Entire Screen)
	SENSITIVITY (1 ~ 120)
	SHOW INDICATOR (OFF / ICON / TRACE)
	DELAY OUT (1 ~ 15) Motion Alarm Zoom-In Delay
EXIT JUMP	EXIT / SAVE&EXIT / FACTORY SET

PRIVACY	
	MASK 1 OFF / ON ↵
	MASK 2 OFF / ON ↵
	MASK 3 OFF / ON ↵
	MASK 4 OFF / ON ↵
	MASK 5 OFF / ON ↵
	MASK 6 OFF / ON ↵
EXIT JUMP	EXIT / SAVE&EXIT / FACTORY SET
SYNC	
SYNC	INTERNAL / AUTO
V-PHASE	0 ~ 199
EXIT JUMP	EXIT / SAVE&EXIT / FACTORY SET
SETUP	
CAMERA ID	0 ~ 254
TITLE EDIT	OFF / ON
DPC	OFF / AUTO DPC (Dead Pixels Cancellation)
MONITOR	CRT / LCD (Select LCD only if the camera is directly connected to LCD monitor.)
LANGUAGE	English / Chinese
BAUDRATE	2400 / 4800 / 9600 / 14400 / 19200 / 38400. (The protocol is PELCO-D. It is fixed and cannot be changed.)
OMNI LENS	OFF / 1 ~ 10 (OMNI-Plus Cameras Only)
EXIT JUMP	EXIT / SAVE&EXIT / FACTORY SET
EXIT	
EXIT	Exit the menu
SAVE&EXIT	Exit the menu and save the setting
FACTORY SET	Reset the menu setting to factory default

MODULE OSD MENU* -V1365T

EXPOSURE		COLOR		DAY&NIGHT	
	<ul style="list-style-type: none"> — BRIGHTNESS — AE PREFERENCE — WDR — BLC — AGC — STARLIGHT — METER ZONE 		<ul style="list-style-type: none"> — WB MODE — COLOR GAIN 		<ul style="list-style-type: none"> — D&N MODE
FUNCTION		MOTION		PRIVACY	
	<ul style="list-style-type: none"> — MIRROR — SHARPNESS — GAMMA — 3D DNR — D-ZOOM 		<ul style="list-style-type: none"> — MOTION 		<ul style="list-style-type: none"> — PRIVACY
SYNC		SETUP		EXIT	
	<ul style="list-style-type: none"> — SYNC 		<ul style="list-style-type: none"> — PC CONTROL — TITLE — LANGUAGE — MONITOR — OMNI LENS — FLUORESCENT — DIGITAL VIDEO — OUT 		<ul style="list-style-type: none"> — EXIT — SAVE & EXIT — FACTORY RESET

OSD MENU* -V1365T

EXPOSURE	
BRIGHTNESS	-48 ~ 60
AE PREFERENCE	OUTDOOR / INDOOR
BLC	OFF / BLC (PERCENTILE 10 ~ 50)
WDR	LOW / NORMAL / MEDIUM / HIGH / CUSTOM
AGC	LOW / MEDIUM / HIGH / CUSTOM
STARLIGHT	x2 ~ x64 / OFF
METER ZONE	ADJUST ZONE 1 / ADJUST ZONE 2
EXIT JUMP	EXIT / SAVE&EXIT / FACTORY SET
COLOR	
WB MODE	AWC / ATW(2,000k~11,000K) / PUSH LOCK / MANUAL (KELVIN:2,000L~11,000K / R/B:RED:-20~20 BLUE:-20~20)
COLOR GAIN	-8 ~8
EXIT JUMP	EXIT / SAVE&EXIT / FACTORY SET
DAY & NIGHT	
D&N MODE	AUTO / AUTO(EXT) / COLOR / B&W - AUTO Mode:(READ TIME:0~255/S-LEVEL:0~60/E-LEVEL:0~60/BW AGC:0~60) - AUTO(EXE) Mode:(Option-IR LED Mode) - COLOR Mode - B&W Mode BW BURST (OFF / ON)
EXIT JUMP	EXIT / SAVE&EXIT / FACTORY SET

FUNCTION	
MIRROR	OFF / MIRROR / V-FLIP / ROTATE
SHARPNESS	-8 ~ 8
GAMMA	25(0.25) ~ 100(1.0)
3D DNR	MOVIE / INFO
D-ZOOM	ZOOM:1 (x1.0) ~ 12(x8) PAN(-100~100)/TILT(-100~100) (Digital Zoom/Pan using the camera mini joystick)
EXIT JUMP	EXIT / SAVE&EXIT / FACTORY SET
MOTION	
MOTION	OFF / ON (ACTIVITY THR (0 ~ 255)) SET MOTION ZONES ↓ - 1 ZONE / 1 ~ 2 ZONE / 1 ~ 3 ZONE / 1 ~ 4 ZONE - ADJUST ZONE 1 (MOVE/MAKES WIDE/MAKES NARROW) - ADJUST ZONE 2 (MOVE/MAKES WIDE/MAKES NARROW) - ADJUST ZONE 3 (MOVE/MAKES WIDE/MAKES NARROW) - ADJUST ZONE 4 (MOVE/MAKES WIDE/MAKES NARROW) RETURN
EXIT JUMP	EXIT / SAVE&EXIT / FACTORY SET
PRIVACY	
PRIVACY	OFF ON ↓ - AREA 1 OFF/ON ↓ (MOVE/MAKES WIDE, MAKES NARROW) - AREA 2 OFF/ON ↓ (MOVE/MAKES WIDE, MAKES NARROW) - AREA 3 OFF/ON ↓ (MOVE/MAKES WIDE, MAKES NARROW) - AREA 4 OFF/ON ↓ (MOVE/MAKES WIDE, MAKES NARROW) - AREA 5 OFF/ON ↓ (MOVE/MAKES WIDE, MAKES NARROW) - AREA 6 OFF/ON ↓ (MOVE/MAKES WIDE, MAKES NARROW) RETURN
EXIT JUMP	EXIT / SAVE&EXIT / FACTORY SET

SYNC	
SYNC	INT1(SYNC to 59.64Hz)/INT2(SYNC to 60.01Hz)/LL LIMIT/V PHASE/RETURN)
EXIT JUMP	EXIT / SAVE&EXIT / FACTORY SET
SETUP	
PC CONTROL	CAM ID:1 ~ 255 ID DISPLAY : OFF / ON PROTOCOL : PELCO-D BAUDRATE : 2400/4800/9600/19200 RETURN _J
TITLE	OFF / ON (TITLE/ID POSITION(UP-LEFT/UP-CENTER/UP-RIGHT/DOWN-LEFT/ DOWN-CENTER/DOWN-RIGHT)
LANGUAGE	ENGLISH
MONITOR	CRT / LCD
OMNI LENS	OFF_J ON ALARM OFF ALARM ON(READ TIME(5~15)/ALARM ZOOM(4~214)/STAND BY(0~214)/RETURN)
FLUORESCENT	OFF / CRR(Manual Lens, Color Rolling/Flickerless Mode)/ CRR2(DC Lens, Color Rolling Mode)
DIGITAL VIDEO OUTPUT	DIGITAL OUT (OFF / ON) FIELD ORDER (NORMAL / REVERS) FRAME RPT (OFF / 2X / FREEZE) RETURN
EXIT JUMP	EXIT / SAVE&EXIT / FACTORY SET
EXIT	
EXIT	
SAVE & EXIT	
FACTORY SET	

SPECIFICATIONS*

Model	V1362DIR	
Camera TYPE	Color/BW	Vandal Dome Camera
Image	Mount	Surface
	Device	Super HAD II CCD
	Size	1/3"
	Pixels-Total	811(H) x 508(V)
	Pixels-Effective	768(H) x 494(V)
Scanning	System	525 line, 2:1 Interlace
	Horizontal Frequency Internal Mode	15,734Hz
	Vertical Frequency Internal Mode	59.94Hz
Min. Scene Illumination	IR-LED On	0.0 Lux
Functions	BLC	ON / OFF (Area Setting)
	AGC	ON / OFF (Gain Adjust)
	AWB	ATW / AWC / MANUAL / PUSH LOCK
	Mirror	ON / OFF
	Motion Detection	ON / OFF
	Privacy Zone	4 Programmable Zone / Size
Lens	Focal Length	3.3 ~ 12mm Varifocal Auto Iris Lens
Resolution	Horizontal	540 TV Lines
Video Output	VBS 1.0Vp-p	VBS 1.0Vp-p(75 Load)
S/N Ratio	S/N Ratio	50dB
OSD	OSD	YES
Environmental Conditions	Operating Temperature	-10°C ~ +55°C(14°F ~ 131°F)
	Humidity	Less than 90%
Power	Power Requirement	12VDC / 24VAC
	Power Consumption	12VDC: 1.96W, 163.3mA / 24VAC: 2.2W, 91.7mA 12VDC: 4.4W, 366.7mA / 24VAC: 3.0W, 125mA (LED ON)
Physical Specification	Dimensions(φ x H)	109.6 X 145mm, 4.31 X 5.71in
IP Rating	IP66	

SPECIFICATIONS*

Model	V1363TIR	
Camera TYPE	Color/BW	Vandal Dome Camera
	Mount	Surface
Image	Size	1/3" High Resolution CCD
	Pixels-Total	811(H) x 508(V)
	Pixels-Effective	768(H) x 494(V)
Scanning	System	525 line, 2:1Interlace
	Horizontal Frequency Internal Mode	15,734Hz
	Horizontal Frequency Line-Lock Mode	15,750Hz
	Vertical Frequency Internal Mode	59.94Hz
	Vertical Frequency Line-Lock Mode	60Hz
Min. Scene Illumination	IR-LED On	0.0 Lux
Functions	STAR-LIGHT	ON / OFF (Area Setting)
	3D-DNR	ON / OFF (Gain Adjust)
	AGC	OFF / LOW / MIDDLE / HIGH
	AWB	ATW / AWC / INDOOR / OUTDOOR / MANUAL / PUSHLOCK
	Motion Detection	OFF / ON (Area / Sensitivity)
	Privacy Zone	8 Programmable Zone / Size
	Focal Length	3.3 ~ 12mm Varifocal Auto Iris Lens
Lens	Horizontal	560 TV Lines
Resolution	Horizontal	560 TV Lines
Video Output	VBS 1.0Vp-p	VBS 1.0Vp-p(75 Load)
S/N Ratio	S/N Ratio	52dB
OSD	OSD	YES
Environmental Conditions	Operating Temperature	-10°C ~ +55°C(14°F ~ 131°F)
	Humidity	Less than 90%
	Power	Power Requirement
	Power Consumption	12VDC: 1.96W, 163.3mA / 24VAC: 2.2W, 91.7mA
		12VDC: 4.4W, 366.7mA / 24VAC: 3.0W, 125mA (LED ON)
Physical Specification	Dimensions(φ x H)	109.6 X 145mm, 4.31 X 5.71in
IP Rating	IP66	

SPECIFICATIONS*

Model	V1382TIR		
Camera TYPE	Color/BW	Vandal Dome Camera	
	Mount	Surface	
Image	Device	Super HAD II CCD	
	Size	1/3"	
	Pixels-Total	811(H) x 508(V)	
	Pixels-Effective	768(H) x 494(V)	
Scanning	System	525 line, 2:1Interlace	
	Horizontal Frequency Internal Mode	15,734Hz	
	Vertical Frequency Internal Mode	59.94Hz	
	Min. Scene Illumination	IR-LED On	0.0 Lux
	Functions	EWDR	ON / OFF
	STAR-LIGHT	ON / OFF (x2 ~ x256)	
	3D-DNR	OFF / LOW / MIDDLE / HIGH	
	DIS	ON / OFF	
	Motion Detection	ON / OFF (Area / Sensitivity)	
	Privacy Zone	6 Programmable Zone / Size	
Lens	Focal Length	2.9 ~ 8.5mm OMNI-Focus Lens	
Resolution	Horizontal	580 TV Lines	
Video Output	VBS 1.0Vp-p	VBS 1.0Vp-p(75 Load)	
S/N Ratio	S/N Ratio	50dB	
OSD	OSD	YES	
Environmental Conditions	Operating Temperature	-10°C ~ +55°C(14°F ~ 131°F)	
	Humidity	Less than 90%	
	Power	Power Requirement	12VDC / 24VAC
	Power Consumption	12VDC: 1.96W, 163.3mA / 24VAC: 2.2W, 91.7mA	
		12VDC: 4.4W, 366.7mA / 24VAC: 3.0W, 125mA (LED ON)	
Physical Specification	Dimensions(φ x H)	109.6 X 145mm, 4.31 X 5.71in	
IP Rating	IP66		

SPECIFICATIONS*

Model	V1382TIR	
Camera TYPE	Color/BW	Vandal Dome Camera
	Mount	Surface
Image	Device	Super HAD II CCD
	Size	1/3"
	Pixels-Total	811(H) x 508(V)
	Pixels-Effective	768(H) x 494(V)
Scanning	System	525 line, 2:1 Interlace
	Horizontal Frequency Internal Mode	15,734Hz
	Vertical Frequency Internal Mode	59.94Hz
Min. Scene Illumination	IR-LED On	0.0 Lux
Functions	EWDR	ON / OFF
	STAR-LIGHT	ON / OFF (x2 ~ x256)
	3D-DNR	OFF / LOW / MIDDLE / HIGH
	DIS	ON / OFF
	Motion Detection	ON / OFF (Area / Sensitivity)
	Privacy Zone	6 Programmable Zone / Size
	Focal Length	2.9 ~ 8.5mm OMNI-Focus Lens
Lens		
Resolution	Horizontal	580 TV Lines
Video Output	VBS 1.0Vp-p	VBS 1.0Vp-p(75 Load)
S/N Ratio	S/N Ratio	50dB
OSD	OSD	YES
Environmental Conditions	Operating Temperature	-40°C ~ +55°C(-40°F ~ 131°F)
	Humidity	Less than 90%
Power	Power Requirement	12VDC / 24VAC
	Power Consumption	12VDC: 1.96W, 163.3mA / 24VAC: 2.2W, 91.7mA
		12VDC: 4.4W, 366.7mA / 24VAC: 3.0W, 125mA (LED ON)
Physical Specification	Dimensions(φ x H)	109.6 X 145mm, 4.31 X 5.71in
IP Rating	IP66	

SPECIFICATIONS*

Model	V1365T	
	General Spec	
CCD Type	1/3" 420K Pixels Color	
Total number of pixels	768(H) X 548(V)	
Minimum Illumination	0.22Lux (F1.2, 30IRE-COLOR)	
	0.0Lux (LED ON)	
Resolution	H: 690 TV Lines Effective	
	Electric Spec	
Voltage	DC 12[V] (11.0[V] ~ 20.0[V])	
	AC 24[V] (20.0[V] ~ 30.0[V])	
Power Consumption	DC12V-3.1W / AC24V-3.2W	
	COMMON	
	General Spec	
Shutter speed	AWB	ATW / AWC / MANUAL / PUSH LOCK
S/N Ratio	Mirror	ON / OFF
Gamma	Motion Detection	ON / OFF
Sync System	Privacy Zone	4 Programmable Zone / Size
	Mechanical Spec	
Operation Temperature	-10°C ~ +50°C (14°F ~ 131°F)	
Storage Temperature	-20°C ~ +70°C	
Operation Humidity	Under 90% (Non-condensing)	

WARRANTY INFORMATION*

Digital Watchdog (referred to as “the Warrantor”) warrants the Camera Series against defects in materials or workmanship as follows.

LABOR : For the initial five (5) years from the date of original purchase, if the camera is determined to be defective, the Warrantor will repair or replace the unit, with new or refurbished product at its option, at no charge.

PARTS : In addition, the Warrantor will supply replacement parts for the initial five (5) years.

To obtain warranty or out of warranty service, please contact a Technical Support Representative at **1-866-446-3595** Monday through Friday from 8:30AM to 8:00PM Eastern.

A purchase receipt or other proof of the original purchase date is required before warranty service is rendered. This warranty only covers failures due to defects in materials and workmanship which arise during normal use. This warranty does not cover damage which occurs in shipment or failures which are caused by products not supplied by the Warrantor or failures which result from accident, misuse, abuse, neglect, mishandling, misapplication, alteration, modification, faulty installation, set-up adjustments, improper antenna, inadequate signal pickup, maladjustment of consumer controls, improper operation, power line surge, improper voltage supply, lightning damage, rental use of the product or service by anyone other than an authorized repair facility or damage that is attributable to acts of God.

LIMITS AND EXCLUSIONS*

There are no express warranties except as listed above. The Warrantor will not be liable for incidental or consequential damages, including without limitation and damage to recording media, resulting from the use of these products or arising out of any breach of the warranty. All express and implied warranties, including the warranties of merchantability and fitness for particular purpose, are limited to the applicable warranty period set forth above.

Some states do not allow the exclusion or limitation of incidental or consequential damages, or limitations on how long an implied warranty lasts, so the above exclusions or limitations may not apply to you. This warranty gives you specific legal rights, and you may also have other rights that vary from state to state.

If the problem is not handled to your satisfaction, then write to the Address listed on the next page.

Service calls which do not involve defective materials or workmanship as determined by the Warrantor, in its sole discretion, are not covered. Costs of such service calls are the responsibility of the purchaser.