



OUTDOOR, VARIFOCAL, VANDAL RESISTANT, DOME CAMERA

Commercial, Residential, Banking, Transportation,
Education, Law Enforcement and Retail



V2262D/Vandal Resistant Dome, Varifocal, Day and Night, NEMA IP66

The V2262D is a standard resolution, vandal resistant dome camera that ensures excellent color sensitivity and clear imaging in both day and night applications. This model includes Electronic Day and Night technology, a 3.3-12mm Varifocal Lens, and is Water Resistant, Dust Proof, and Shock Proof. Its rugged design makes the V2262D the right choice for critical surveillance applications where Auto White Balancing, Auto Gain Control, and Back Light Compensation are important. This Vandal Resistant Dome includes its own power supply, is NEMA rated IP66 for both indoor and outdoor applications, and offers a 5 Year Warranty.



www.digital-watchdog.com

Electronic

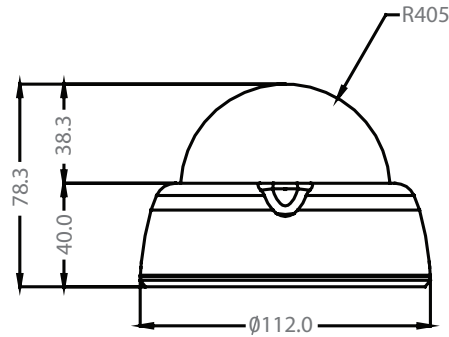
1/3" Sony Super II HAD CCD
 420 TV Line
 3.3~12mm Varifocal Auto Iris Lens
 Electronic Day and Night
 Low Power Consumption
 Wide Operating Voltage (8VDC-18VDC)
 Ultra Low-Light Sensitivity
 5 Year Warranty

Mechanical

3D Gimbal for Easy Control (360° Pan, 90° Tilt)

Optional Accessories

DWC-V1WM Wall Mount Bracket for V1, V3 Housing
 DWC-V1CM Ceiling Mount Bracket for V1, V3 Housing
 DWC-V1CNM Corner Mount Bracket for V1, V3 Housing



SPECIFICATIONS

Camera TYPE	Color/BW	Vandal Resistant Day and Night Digital Dome Camera
	Mount	Surface
Image	Device	1/3" Super HAD CCD
	Pixels-Total	537(H) x 505(V)
	Pixels-Effective	510(H) x 492(V)
Scanning	System	525 line, 2:1 Interlace
	Horizontal Frequency Internal Mode	15,734Hz
	Vertical Frequency Internal Mode	59.94Hz
Min. Scene Illumination	F1.5	0.2 Lux
Functions	AE/ME	AE/ME Mode
	Flicker less	ON/OFF
	AWB	ATW/AWB
	BLC	ON/OFF
	AGC	ON/OFF
Lens	Focal Length	3.3 ~12mm
Resolution	Horizontal	420 TV Lines
Video Output	VBS 1.0Vp-p	VBS 1.0Vp-p (75 Load)
S/N Ratio	S/N Ratio	48dB
OSD		NO
Environmental Conditions	Operating Temperature	-10°~+55° (14°~131v)
	Humidity	Less then 90%
Power	Power Requirement	12VDC
	Power Consumption	DC12 [V]: 74[mA]
Physical Specifications	Dimensions (Ø x H)	112 x 78.3mm
	NEMA Type	IP66
	Weight	1.9 lbs
Certifications	CE, FCC, RoHS	Certified