

V3363D922

High Resolution Vandal Dome Camera



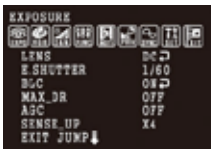
Main Features

- 620 TV Lines [B&W], 600 TV Lines [Color]
- 9~22mm Varifocal Auto Iris Lens
- Electronic Day and Night
- IP66 Certified (Weatherproof)
- Auto Sensing 24VAC/12VDC with Line Lock
- Secondary Video-BNC Output

Super Low Light Imaging for Any Application

Icon Driven OSD Menu

ICON Driven OSD Menu will easily guide you through programming options. Simple and fast programming.



HME (Highlight Masking Exposure)

Masks overly exposed light to produce a true video image of any environment.



Smart DNR (Digital Noise Reduction)

Smart DNR produces less noise and more color at night without image lagging.



DRC (Dynamic Range Compressor)

With the advanced light compensation technology DRC, dark spots in images particularly become more visible without overexposing the bright spots to create one perfect image.



Star-Light (Super Low Light Technology)

Offers a slow shutter feature that increases the length of time the shutter remains open to collect additional light, illuminating typically dark environments.



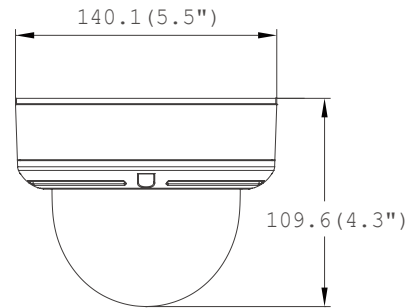
Programmable Privacy Zone

When privacy is a concern, monitoring can be masked in certain zones within the scene. The user can define up to eight rectangular exclusions.





Dimensions (unit : mm)



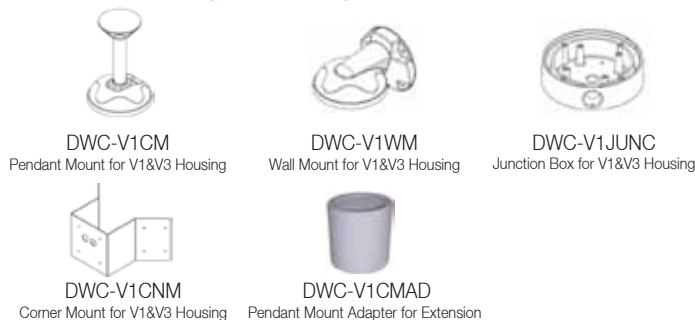
Summary

Our Star-Light Series offers super low light imaging for any application. Along with Smart Digital Noise Reduction, our Star-Light technology offers a slow shutter feature that increases the length of time the shutter remains open to collect additional ambient light illuminating typically dark environments.

Features

- 1/3" CCD
- 620 TV Lines [B&W], 600 TV Lines [Color]
- 9~22mm Varifocal Auto Iris Lens
- Electronic Day and Night
- Smart DNR (Digital Noise Reduction)
- DRC (Dynamic Range Compressor)
- Star-Light (Super Low Light Technology)
- HME (Highlight Masking Exposure)
- Programmable Privacy Zones (8) & Motion Detection
- AGC / BLC / AWB
- Easy Icon Driven OSD Menu with Built-in Joystick
- IP66 Certified (Weatherproof)
- Auto Sensing 12VDC/24VAC with Line Lock
- RS-485 Built-in
- Secondary Video-BNC Output

Accessories (Optional)



Specifications

VIDEO	
Image Sensor	1/3" CCD
Total Pixels	811 (H) x 508 (V), 411K Pixels
Effective Pixels	768 (H) x 494 (V)
Scanning System	525 Lines, 2 : 1 Interlace
Frequency	15.734KHz (H), 59.95Hz (V)
Synchronization	Internal / Line Lock
Horizontal Resolution	620 TV Lines [B&W], 600 TV Lines [Color]
Minimum Illumination	F1.2 (30IRE): 0.14 Lux [Color] F1.2 (30IRE): 0.03 Lux [B&W]
S/N Ratio	52dB (AGC off)
Video Output	CVBS: 1.0Vp-p / 75 Ω
LENS	
Focal Length	9-22mm
Lens Type	DC Auto Iris
OPERATIONAL	
Back Light	OFF / BLC / HME / DRC
Star-Light	OFF / X2-X1024
3D Digital Noise Reduction	OFF / LOW / MID / HIGH / SMART
White Balance	AWC / ATW / MANUAL / PUSHLOCK
Mirror	OFF / MIRROR
Sharpness	0-30
Gamma	MANUAL / 0.45 / 0.60 / 1.0
Side Light Compensation	OFF / ON
Night Up	OFF / ON
Motion Detection	OFF / ON (4 Areas)
Privacy Zones	OFF / ON (8 Programmable Zones)
Dead Pixel Cancellation	OFF / AUTO
Language	ENGLISH / MANDARIN / CANTONESE / JAPANESE / GERMAN / FRENCH / ITALIAN / RUSSIAN / SPANISH / DUTCH
ENVIRONMENTAL	
Operating Temperature	-10°C ~ 55°C (14°F ~ 131°F)
Operating Humidity	Less than 90% (Non-Condensing)
Storage Temperature	-20°C ~ 70°C (-4°F ~ 158°F)
IP Rating	IP66 (Protects against dust and high pressure water.)
ELECTRICAL	
Power Requirement	Dual (12VDC & 24VAC)
Power Consumption	12VDC: 1.96W, 163mA 24VAC: 2.2W, 91.7mA
MECHANICAL	
Housing Material	Aluminum
Dimensions	140.1 X 109.6 mm (5.5 X 4.3 in)
Weight	1.9 lbs

*Specification is subject to change without prior notice.