

# V3367WTIR

High Resolution Vandal Dome Camera



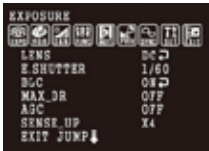
## Main Features

- 1/3" Sony Super HAD CCD II
- 620 TV Lines [B&W], 600 TV Lines [Color]
- 3.3~12mm Varifocal Auto Iris Lens
- 100ft Range IR with Intelligent Camera Sync, Smart IR
- TDN (True Day and Night / IR Cut Filter)
- IP66 Certified (Weatherproof)

***Super Vision at Anytime, Anywhere***

### Icon Driven OSD Menu

ICON Driven OSD Menu will easily guide you through programming options. Simple and fast programming.



### Smart DNR (Digital Noise Reduction)

Smart DNR produces less noise and more color at night without image lagging.



### HME (Highlight Masking Exposure)

Masks overly exposed light to produce a true video image of any environment.



### Star-Light (Super Low Light Technology)

Offers a slow shutter feature that increases the length of time the shutter remains open to collect additional light, illuminating typically dark environments.



### Programmable Privacy Zone

When privacy is a concern, monitoring can be masked in certain zones within the scene. The user can define up to eight rectangular exclusions.



### WDR (Wide Dynamic Range)

Enables the camera to capture perfect images in both bright and dark environments simultaneously.



### 3-Axis Gimbal

Choose the exact scene you wish to view with our flexible 3-Axis Gimbal technology.



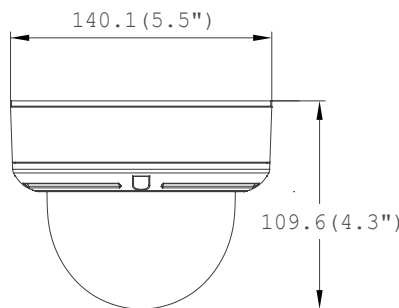
### Smart IR-See what is really happening at night.

The breakdown of the video image into five zones allows for an even distribution of the IR, which prevents excessive illumination.





### Dimensions (unit : mm)



### Summary

Our Infinity DSP Series ensures excellent color sensitivity and high resolution in both day and night applications. The technology utilizes Star-Light, Wide Dynamic Range, Highlight Masking Exposure, and other great features to help produce a clear horizontal resolution of up to 620 TV lines. Super Vision at Anytime, Anywhere.

### Features

- 1/3" Sony Super HAD CCD II
- 620 TV Lines [B&W], 600 TV Lines [Color]
- 3.3~12mm Varifocal Auto Iris Lens
- 100ft Range IR with Intelligent Camera Sync, Smart IR
- TDN (True Day and Night / IR Cut Filter)
- WDR (Wide Dynamic Range)
- Smart DNR (Digital Noise Reduction)
- Star-Light (Super Low Light Technology)
- HME (Highlight Masking Exposure)
- Programmable Privacy Zones (8) & Motion Detection
- AGC / BLC / AWB
- IP66 Certified (Weatherproof)
- Easy Icon Driven OSD Menu with Built-in Joystick
- Auto Sensing 12VDC/24VAC with Line Lock
- RS-485 Built-in
- Secondary Video-BNC Output

### Specifications

VIDEO	
Image Sensor	1/3" Sony Super HAD CCD II
Total Pixels	811 (H) x 508 (V), 411K Pixels
Scanning System	2 : 1 Interlace
Frequency	15.734KHz (H), 59.95Hz (V)
Synchronization	Internal or External
Horizontal Resolution	620 TV Lines [B&W], 600 TV Lines [Color]
Minimum Illumination	F1.2 (30IRE): 0.14 Lux [Color] F1.2 (30IRE): 0.00 Lux [B&W]
S/N Ratio	52dB (AGC off)
Video Output	CVBS: 1.0Vp-p / 75 Ω
LENS	
Focal Length	3.3-12mm
Lens Type	DC Auto Iris
IR Distance	100ft Range IR
OPERATIONAL	
Back Light	OFF / BLC / HME / WDR
Auto Gain Control	OFF / LOW / MID / HIGH / HIGHEST
Star-Light	OFF / X2-X1024
3D Digital Noise Reduction	OFF / LOW / MID / HIGH / SMART
White Balance	AWC / ATW / MANUAL / PUSHLOCK
Mirror	OFF / MIRROR
Sharpness	0-30
Gamma	MANUAL / 0.45 / 0.60 / 1.0
Side Light Compensation	OFF / ON
Night Up	OFF / ON
Motion Detection	OFF / ON (4 Areas)
Privacy Zones	OFF / ON (8 Programmable Zones)
Dead Pixel Cancellation	OFF / AUTO
Languages	ENGLISH / MANDARIN / CANTONESE / JAPANESE / GERMAN / FRENCH / ITALIAN / RUSSIAN / SPANISH / DUTCH
ENVIRONMENTAL	
Operating Temperature	-10°C ~ 55°C (14°F ~ 131°F)
Operating Humidity	Less than 90% (Non-Condensing)
Storage Temperature	-20°C ~ 70°C (-4°F ~ 158°F)
IP Rating	IP66 (Protects against dust and high pressure water.)
ELECTRICAL	
Power Requirement	Dual (12VDC & 24VAC)
Power Consumption	12VDC: 1.8W, 150mA / LED ON 4.6W, 383mA 24VAC: 2.4W, 100mA / LED ON 4.9W, 204mA
MECHANICAL	
Housing Material	Aluminum
Dome Cover Material	Polycarbonate
Dimensions	140.1 X 109.6 mm (5.5 X 4.3 in)
Weight	2.09 lbs

\*Specification is subject to change without prior notice.

### Accessories (Optional)



DWC-V1CM

Pendant Mount for V1&V3 Housing



DWC-V1WM

Wall Mount for V1&V3 Housing



DWC-V1JUNC

Junction Box for V1&V3 Housing



DWC-V1CNM

Corner Mount for V1&V3 Housing



DWC-V1CMAD

Pendant Mount Adapter for Extension