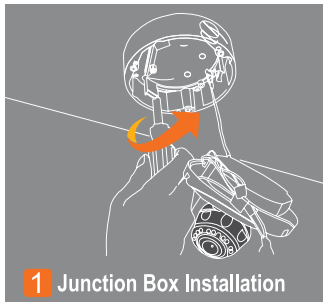




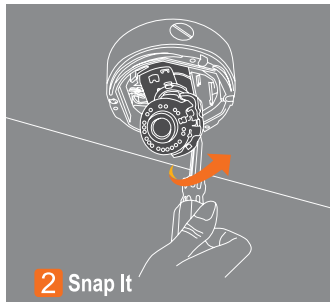
It's quick. It's easy!

Snapit

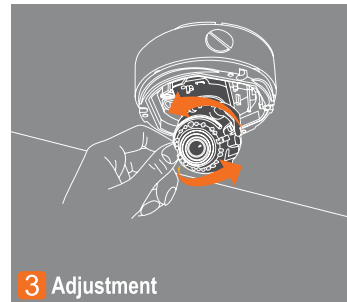
Easy Installation 1 2 3 4



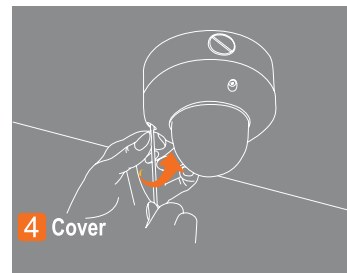
1 Junction Box Installation



2 Snap It



3 Adjustment



4 Cover

Vandal Dome Camera

V4365T

IP68 Weather Proof Rated



DW DIGITAL WATCHDOG
Everything's Digital

RS485

UTP



PIXIM

New ICON Driven OSD Menu

ICON Type Menu will easily guide you through programming options. Simple and fast programming.



3D-DNR (Digital Noise Reduction)

Produces less noise and more color at night. An excellent choice.



Smear Canceling Circuit

Eliminates glares and reflections from the video images.



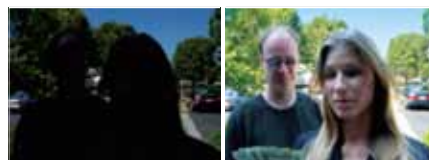
Powerful WDR (Overexposure Elimination)

Eliminates overexposure to capture all the details of scene.



Powerful WDR (Underexposure Elimination)

Eliminates underexposure to capture all the details of scene.



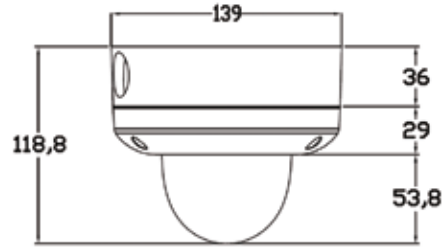
3 Axis Gimbal

Choose the exact scene you wish to view with our flexible 3-Axis Gimbal technology.





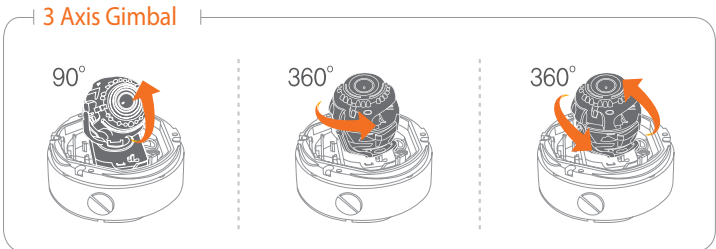
Dimensions



Summary

Our new simple to install housing series combined with our reliable camera technology series gives you a high quality camera in just a few minutes. All Snapit housings include both a built-in UTP and RS-485. Our Snapit vandal dome cameras have a built-in junction box and is IP68 certified. Submerge the camera in water, and it will still work properly!

Our Snapit Vandal Dome V4365T is powered by PIXIM's Seawolf Digital Imaging System. PIXIM's technology allows each pixel to self-adjust in the same scene, giving terrific image quality.



Features

- 1/3" Pixim Seawolf CMOS Sensor
- 690 Horizontal TV Lines
- 3.3~12mm Varifocal Auto Iris Lens
- TDN (True Day and Night/IR Cut Filter)
- Powerful Wide Dynamic Range
- Ultra Low Light Sensitivity
- 3D-DNR (3D Digital Noise Reduction)
- Smear Canceling Circuit
- Low Power Consumption
- UTP / RS485 Built-in
- Junction Box Built-in
- Programmable Privacy Zone (6) & Motion Detection
- Easy Icon Driven OSD Menu with Built-in Joystick
- Auto Sensing 24 VAC/12 VDC with Line Lock
- Secondary Video-BNC Output
- IP68 Certified
- CE, FCC, RoHS Certified

Popular Accessories

- DWC-FMSNAP Flush Mount for Snapit Vandal Dome
- DWC-V1CM Pendant Mount Bracket
- DWC-V1WM Wall Mount Bracket

Specifications

Model	DWC-V4365T
Image Sensor	1/3" Pixim Seawolf CMOS Sensor
Pixels-Total	768 (H) x 548 (V)
Minimum Illumination	0.22Lux (F1.2, 30IRE-COLOR)
Horizontal Resolution	690 TV Lines Effective (COLOR)
Power Requirement	DC12V / AC24V
Power Consumption	DC12V: 3.1W, 258mA / AC24V: 3.2W, 133mA DC12V: 4.9W, 408mA / AC24V: 5.0W, 208mA FAN ON
Shutter Speed	1/25s ~ 1/30,720s
S/N Ratio	53dB
Gamma	0.45
Sync System	Internal / Line Lock
Operation Temperature	-29°C ~ +55 °C (-20 °F ~ 131 °F)
Storage Temperature	-20°C ~ +70 °C (-4 °F ~ 158 °F)
Operation Humidity	Under 90% (Non-Condensing)

(*) Specification is subject to change without prior notice.

