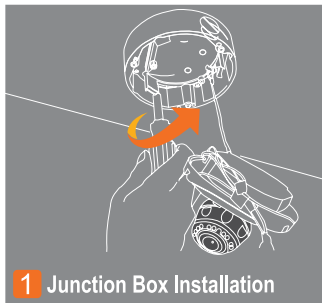




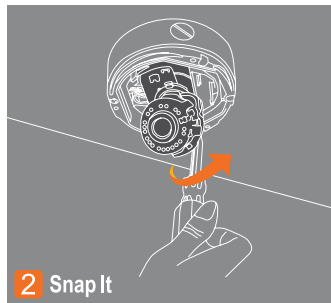
It's quick. It's easy!

Snapit

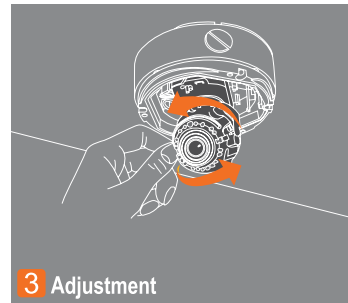
Easy Installation 1 2 3 4



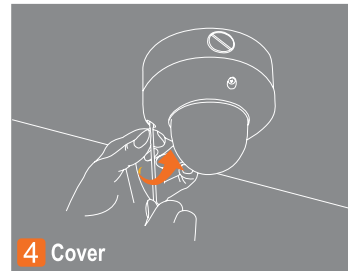
1 Junction Box Installation



2 Snap It



3 Adjustment



4 Cover

Vandal Dome Camera V4365T

DW DIGITAL
WATCHDOG
Everything's Digital

PIXIM

RS485

UTP



IP68 (Water Submersible)



PIXIM

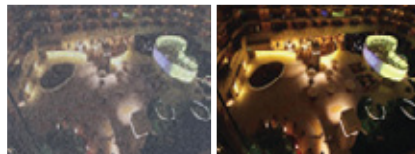
Icon Driven OSD Menu

ICON Driven OSD Menu will easily guide you through programming options. Simple and fast programming.



Smart DNR (Digital Noise Reduction)

Smart DNR produces less noise and more color at night without image lagging.



Programmable Privacy Zone

When privacy is a concern, monitoring can be masked in certain zones within the scene. The user can define up to eight rectangular exclusions.



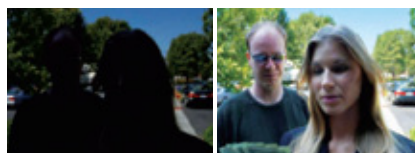
Powerful WDR (Overexposure Elimination)

Eliminates overexposure to capture all the details of the scene.



Powerful WDR (Underexposure Elimination)

Eliminates underexposure to capture all the details of the scene.



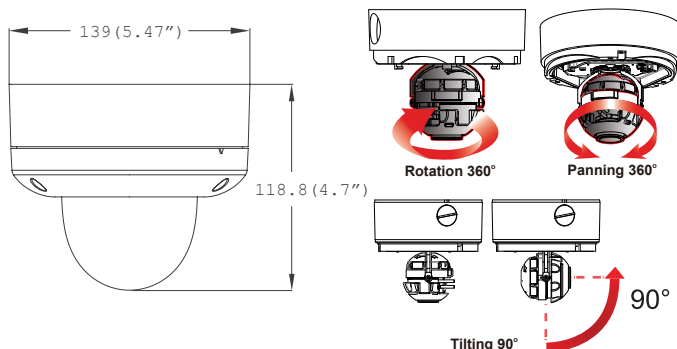
Smear Canceling Circuit

Eliminates glares and reflections from the video images.





Dimensions (unit : mm)



Snapit Easy Installation 1234



- 1 Built-in Junction Box Installation
- 2 Snap It
- 3 Adjustment
- 4 Cover

Summary

Our Snapit Vandal Dome V4365T is a high performance weatherproof camera offering exceptional Wide Dynamic Range, sensitivity to harsh lighting, as well as high resolution imaging with its 1/3" PIXIM Nightwolf CMOS Sensor. PIXIM's technology allows each pixel to self-adjust in the same scene, giving terrific image quality. PIXIM revolutionizes the way video cameras capture and process images. All Snapit housings include both a built-in UTP and RS-485. Our Snapit vandal dome cameras have a built-in junction box and are IP68 certified. Submerge the camera in water, and it will still work properly!

Features

- 1/3" PIXIM Nightwolf CMOS Sensor
- 690 Horizontal TV Lines
- 3.3~12mm Varifocal Auto Iris Lens
- TDN (True Day and Night / IR Cut Filter)
- 3D DNR (Digital Noise Reduction)
- Powerful Wide Dynamic Range
- Star-Light (Super Low Light Technology)
- 8X Digital Zoom
- Ultra Low Light Sensitivity
- Smear Cancellation
- Low Power Consumption
- Programmable Privacy Zones (6) & Motion Detection
- IP68 Certified
- Junction Box Included
- UTP & RS485 Built-In
- Auto Sensing 12VDC or 24VAC with Line Lock
- Secondary Video-BNC Output

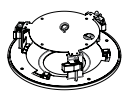
Accessories (Optional)



DWC-V4CM
Pendant Mount Bracket



DWC-V4WM
Wall Mount Bracket



DWC-FMSNAP
Flush Mount



DWC-V4SSLD
Sunshield Cover

Specifications

VIDEO	
Image Sensor	1/3" PIXIM Nightwolf CMOS Sensor
Total Pixels	768 (H) x 548 (V)
Scanning System	525 Lines, 2 : 1 Interlace
Frequency	15.734KHz (H), 59.95Hz (V)
Synchronization	Internal / Line Lock
Horizontal Resolution	690 Effective Horizontal TV Lines
Minimum Illumination	F1.2 (30IRE): 0.22Lux [Color] F1.2 (30IRE): 0.01 Lux [B&W]
S/N Ratio	50dB (AGC off)
Video Output	CVBS: 1.0Vp-p / 75 Ω
LENS	
Focal Length	3.3-12mm
Lens Type	DC Auto Iris
OPERATIONAL	
Lens	MANUAL / DC
AE Preference	OUTDOOR / INDOOR
Back Light Compensation	OFF / ON
Wide Dynamic Range	LOW / NORMAL / MEDIUM / HIGH / CUSTOM
Auto Gain Control	LOW / MEDIUM / HIGH
Star-Light	OFF, x2-30FPS ~ x64
White Balance Mode	ATW / PUSH-LOCK / MANUAL / AWC / NORMAL
Day & Night	AUTO / COLOR / B&W
Mirror	OFF / MIRROR / V-FLIP / ROTATE
Sharpness	-8 ~ 8
3D Digital Noise Reduction	OFF / LOW / MEDIUM / HIGH
Digital Zoom	x1 ~ x8
Privacy Zones	OFF / ON (6 Programmable Zones)
Baudrate	2400 ~ 38500
Protocol	PELCO-D
Language	ENGLISH, DEUTSCH, FRANCIAS, ITALIAN, ESPAÑOL, DUTCH
ENVIRONMENTAL	
Operating Temperature	-29°C ~ 55°C (-20°F ~ 131°F)
Operating Humidity	Less than 90% (Non-Condensing)
Storage Temperature	-29°C ~ 70°C (-20°F ~ 158°F)
IP Rating	IP68 (Protects against dust and immersion beyond 3ft.)
ELECTRICAL	
Power Requirement	Dual (12VDC & 24VAC)
Power Consumption	12VDC: 2.1W, 175mA 24VAC: 2.2W, 91.7mA
MECHANICAL	
Housing Material	Aluminum
Dome Cover Material	Polycarbonate
Dimensions	ø139 X 118.8 mm (ø5.47 X 4.7 in)
Weight	2.028 lbs

*Specification is subject to change without prior notice.