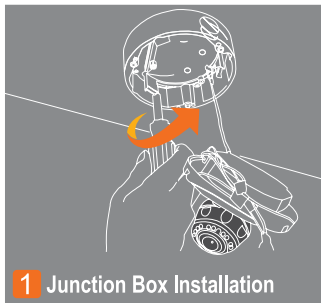




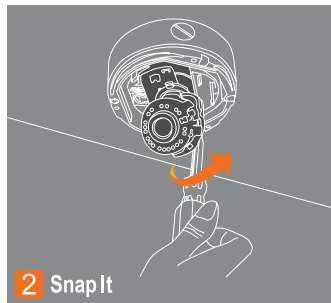
It's quick. It's easy!

Snapit

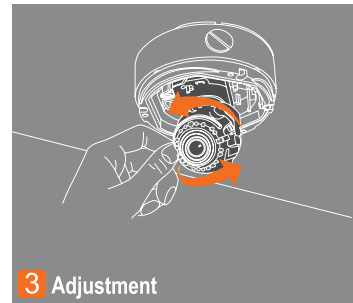
Easy Installation 1 2 3 4



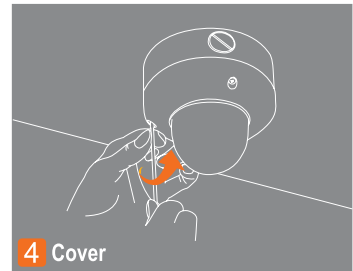
1 Junction Box Installation



2 Snap It



3 Adjustment



4 Cover

Vandal Dome Camera

V4367WTIR

STAR-LIGHT™ INFINITY

DW DIGITAL WATCHDOG
Everything's Digital

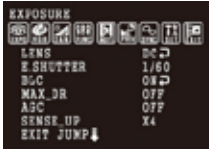
RS485



IP68 (Water Submersible)

Icon Driven OSD Menu

ICON Driven OSD Menu will easily guide you through programming options. Simple and fast programming.



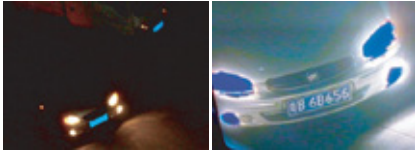
Smart DNR (Digital Noise Reduction)

Smart DNR produces less noise and more color at night without image lagging.



HME (Highlight Masking Exposure)

Masks overly exposed light to produce a true video image of any environment.



Star-Light (Super Low Light Technology)

Offers a slow shutter feature that increases the length of time the shutter remains open to collect additional light, illuminating typically dark environments.



Programmable Privacy Zone

When privacy is a concern, monitoring can be masked in certain zones within the scene. The user can define up to eight rectangular exclusions.



WDR (Wide Dynamic Range)

Enables the camera to capture perfect images in both bright and dark environments simultaneously.



3-Axis Gimbal

Choose the exact scene you wish to view with our flexible 3-Axis Gimbal technology.



Smart IR-See what is really happening at night.

The breakdown of the video image into five zones allows for an even distribution of the IR, which prevents excessive illumination.

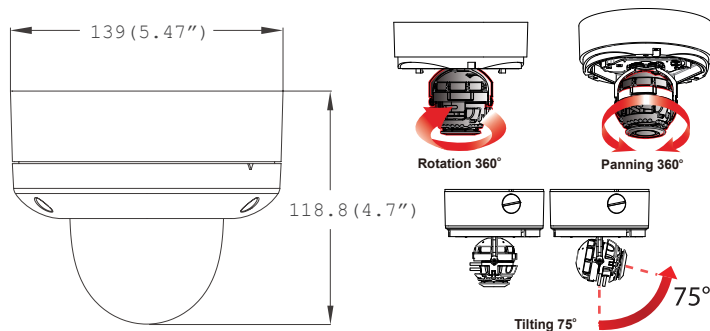




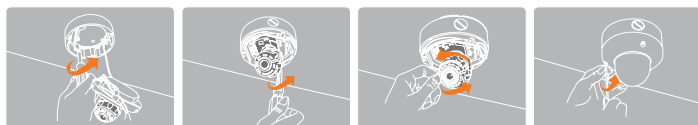
Snapit
RS485 UTP



Dimensions (unit : mm)



Snapit Easy Installation 1234



- 1 Built-in Junction Box Installation
- 2 Snap It
- 3 Adjustment
- 4 Cover

Summary

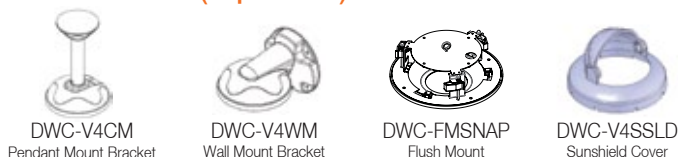
Our Snapit Vandal Dome V4367WTIR is powered by our Infinity DSP technology. The technology utilizes Star-Light, WDR, HME, and other great features to help produce a clear horizontal resolution of up to 620 TV lines, making it suitable for any application.

All Snapit housings include both a built-in UTP and RS-485. Our Snapit vandal dome cameras have a built-in junction box and is IP68 certified. Submerge the camera in water, and it will still work properly!

Features

- 1/3" Sony Super HAD CCD II
- 620 TV Lines [B&W], 600 TV Lines [Color]
- 3.3~12mm Varifocal Auto Iris Lens
- 70ft Range IR with Intelligent Camera Sync, Smart IR
- TDN (True Day and Night / IR Cut Filter)
- WDR (Wide Dynamic Range)
- Smart DNR (Digital Noise Reduction)
- Star-Light (Super Low Light Technology)
- Easy Icon Driven OSD Menu with Built-in Joystick
- IP68 Certified
- Junction Box Included
- UTP & RS-485 Built-in
- Auto Sensing 24VAC/12VDC with Line Lock
- Secondary Video-BNC Output

Accessories (Optional)



Specifications

| VIDEO | |
|----------------------------|---|
| Image Sensor | 1/3" Sony Super HAD CCD II |
| Total Pixels | 811 (H) x 508 (V), 411K Pixels |
| Effective Pixels | 768 (H) x 494 (V) |
| Frequency | 15.734KHz (H), 59.95Hz (V) |
| Synchronization | Internal or Line Lock |
| Horizontal Resolution | 620 TV Lines [B&W], 600 TV Lines [Color] |
| Minimum Illumination | F1.2 (30IRE): 0.14 Lux [Color] F1.2 (30IRE): 0.00 Lux [B&W] |
| S/N Ratio | 50dB (AGC off) |
| Video Output | CVBS: 1.0Vp-p / 75 Ω |
| LENS | |
| Focal Length | 3.3-12mm |
| Lens Type | DC Auto Iris |
| IR Distance | 70ft Range IR |
| OPERATIONAL | |
| Back Light | OFF / BLC / HME / WDR |
| Auto Gain Control | OFF / LOW / MID / HIGH / HIGHEST |
| Star-Light | OFF / X2-X1024 |
| 3D Digital Noise Reduction | OFF / LOW / MID / HIGH / SMART |
| White Balance | AWC / ATW / MANUAL / PUSHLOCK |
| Mirror | OFF / MIRROR |
| Sharpness | 0-30 |
| Gamma | MANUAL / 0.45 / 0.60 / 1.0 |
| Side Light Compensation | OFF / ON |
| Night Up | OFF / ON |
| Motion Detection | OFF / ON (4 Areas) |
| Privacy Zones | OFF / ON (8 Programmable Zones) |
| Dead Pixel Cancellation | OFF / AUTO |
| Languages | ENGLISH / MANDARIN / CANTONESE / JAPANESE / GERMAN / FRENCH / ITALIAN / RUSSIAN / SPANISH / DUTCH |
| ENVIRONMENTAL | |
| Operating Temperature | -29°C ~ 55°C (-20°F ~ 131°F) |
| Operating Humidity | Less than 90% (Non-Condensing) |
| Storage Temperature | -29°C ~ 70°C (-20°F ~ 158°F) |
| IP Rating | IP68 (Protects against dust and immersion beyond 3ft.) |
| ELECTRICAL | |
| Power Requirement | Dual (12VDC & 24VAC) |
| Power Consumption | 12VDC: 2.1W, 175mA / LED ON 4.5W, 375mA 24VAC: 2.2W, 91.7mA / LED ON 4.6W, 191.7mA |
| MECHANICAL | |
| Housing Material | Aluminum |
| Dome Cover Material | Polycarbonate |
| Dimensions | ∅139 X 118.8 mm (∅5.47 X 4.68 in) |
| Weight | 2.05 lbs |

*Specification is subject to change without prior notice.