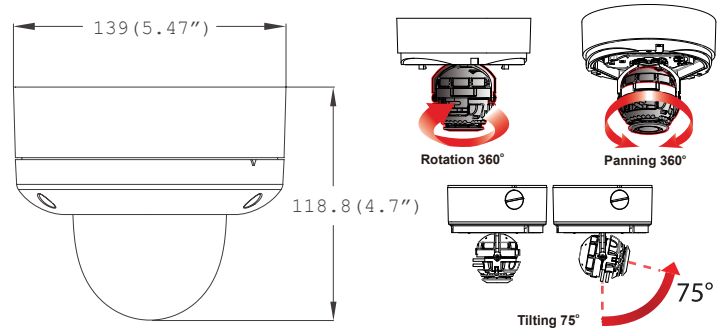




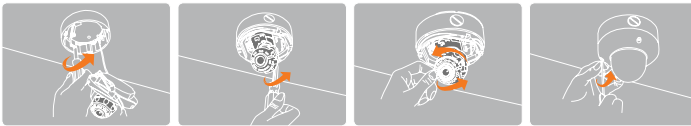
**Snapit**  
RS485 UTP



### Dimensions (unit : mm)



### Snapit Easy Installation 1234



**1 Built-in Junction Box Installation**    **2 Snap It**    **3 Adjustment**    **4 Cover**

### Summary

Our Snapit Vandal Dome V4382TIR is powered by our Infinity OMNI-Plus technology. The technology simplifies field-of-view adjustment by offering an OMNI-Focus lens which utilizes three lenses to view fore-, mid-, and background as one.

All Snapit housings include both a built-in UTP and RS-485. Our Snapit vandal dome cameras have a built-in junction box and is IP68 certified. Submerge the camera in water, and it will still work properly!

### Features

- 1/3" Sony Super HAD CCD II
- 620 TV Lines [B&W], 600 TV Lines [Color]
- OMNI-Focus 2.9~8.5mm Auto Iris Lens; 3X Motorized Zoom
- 50ft Range IR with Intelligent Camera Sync, Smart IR
- TDN (True Day and Night / IR Cut Filter)
- WDR (Wide Dynamic Range)
- Smart DNR (Digital Noise Reduction)
- Star-Light (Super Low Light Technology)
- HME (Highlight Masking Exposure)
- Easy Icon Driven OSD Menu with Built-in Joystick
- IP68 Certified (Water Submersible)
- Junction Box Included
- UTP & RS-485 Built-in
- Auto Sensing 24VAC/12VDC with Line Lock
- Secondary Video-BNC Output

### Accessories (Optional)



### Specifications

VIDEO	
Image Sensor	1/3" Sony Super HAD CCD II
Total Pixels	811 (H) x 508 (V), 411K Pixels
Effective Pixels	768 (H) x 494 (V)
Frequency	15.734KHz (H), 59.95Hz (V)
Synchronization	Internal or Line Lock
Horizontal Resolution	620 TV Lines [B&W], 600 TV Lines [Color]
Minimum Illumination	F1.2 (30IRE): 0.14 Lux [Color] F1.2 (30IRE): 0.00 Lux [B&W]
S/N Ratio	50dB (AGC off)
Video Output	CVBS: 1.0Vp-p / 75 Ω
LENS	
Focal Length	2.9-8.5mm
Lens Type	OMNI-Focus, Auto Iris
Zoom	3X Motorized
IR Distance	50ft Range IR
OPERATIONAL	
Back Light	OFF / BLC / HME / WDR
Auto Gain Control	OFF / LOW / MID / HIGH / HIGHEST
Star-Light	OFF / X2-X1024
3D Digital Noise Reduction	OFF / LOW / MID / HIGH / SMART
White Balance	AWC / ATW / MANUAL / PUSHLOCK
Mirror	OFF / MIRROR
Sharpness	0-30
Gamma	MANUAL / 0.45 / 0.60 / 1.0
Side Light Compensation	OFF / ON
Night Up	OFF / ON
Motion Detection	OFF / ON (4 Areas)
Privacy Zones	OFF / ON (8 Programmable Zones)
Dead Pixel Cancellation	OFF / AUTO
Languages	ENGLISH / MANDARIN / CANTONESE / JAPANESE / GERMAN / FRENCH / ITALIAN / RUSSIAN / SPANISH / DUTCH
ENVIRONMENTAL	
Operating Temperature	-29°C ~ 55°C (-20°F ~ 131°F)
Operating Humidity	Less than 90% (Non-Condensing)
Storage Temperature	-29°C ~ 70°C (-20°F ~ 158°F)
IP Rating	IP68 (Protects against dust and immersion beyond 3ft.)
ELECTRICAL	
Power Requirement	Dual (12VDC & 24VAC)
Power Consumption	12VDC: 2.1W, 175mA / LED ON 4.5W, 375mA 24VAC: 2.2W, 91.7mA / LED ON 4.6W, 192mA
MECHANICAL	
Housing Material	Aluminum
Dome Cover Material	Polycarbonate
Dimensions	ø139 X 118.8 mm (ø5.47 X 4.68 in)
Weight	2.05 lbs

\*Specification is subject to change without prior notice.