

MEGAPIX

MB421TIR
MB421TIR650

IP 2.1MP Weather Resistant Bullet IR Camera
Quick Setup Guide



PREPARATION

The following items are included with a MEGApix Bullet camera

Quick Start Guide		CD (Manual & Software)	
T-Wrench & TROX-T20 L-Wrench		Mounting Template	
Second Video Jack		4 Screws & 4 Dry Wall Anchors	

IR Bullet Camera
- RS485 Cables
- 12VDC Power
- RJ45 Network
- Audio In/Out
- Sensor In/ Out

Thank you for purchasing Digital Watchdog's MEGApix Weather Resistant Bullet Camera. Before installing the camera, please verify your model and read this guide carefully.

INSTALLATION

Prepare the Camera and Mounting Surface

1 Use the camera's Mounting accessory to mark drilling holes on the mounting surface.

2 Drill holes into the drywall and mount the camera's mount.

3 Attach the box camera to the mounting bracket & adjust the camera's position. Consult the mounting bracket's manual for additional information.

4 Attach an appropriate Lens to the camera. See page 7 in this QSG for more information.

SPECIFICATIONS

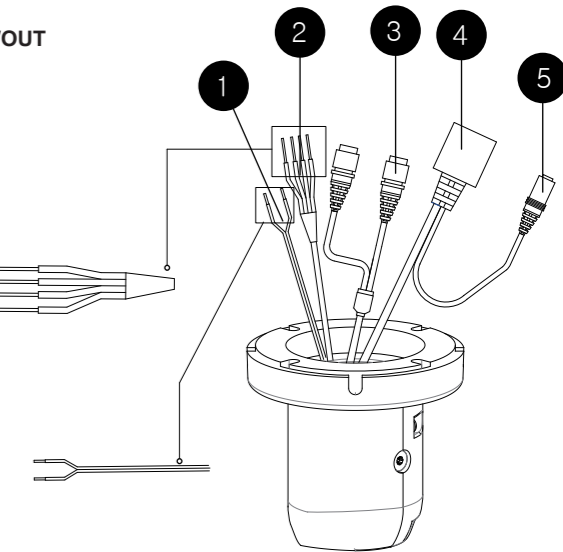
Cable Specifications

The MB421TIR MEGApix series supports audio and relay input and outpus. Use the diagram below for additional information on the specific cables and their purpose.

- 1 RS 485
- 2 Alarm
- 3 Audio IN/OUT
- 4 RJ45
- 5 Power

Alarm Cables:
WHITE: Sensor Input
YELLOW: Ground
BLACK: Relay Output (-)
RED: Relay Output (+)

RS-485 Cables:
WHITE: (-)
BLACK: (+)



Additional Cabling Connections

SD CARD Slot

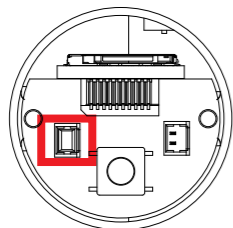
Reset Switch

Second Video Connector

Resetting the Camera

Pressing the reset button on the camera's control board for five (5) seconds will initialize all environmental variables to factory default. Previous setup for IP default, time, etcetera will be deleted. If a system IP address is lost, reset the camera back to factory default. The following are the default network settings:

IP Mode	DHCP
IP Address	192.168.1.123
Subnet Mask	255.255.255.0
Gateway	192.168.1.123
Command Port	7000
HTTP Port	80
Live Port	7001



Frequent use may cause a System Error

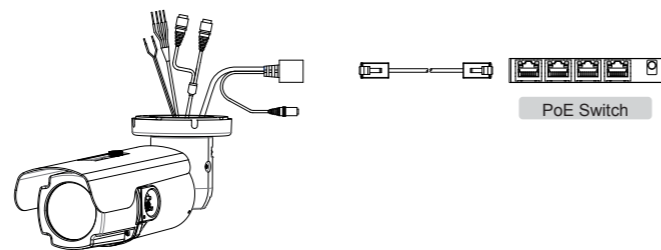


Network Connection

There are two options.*

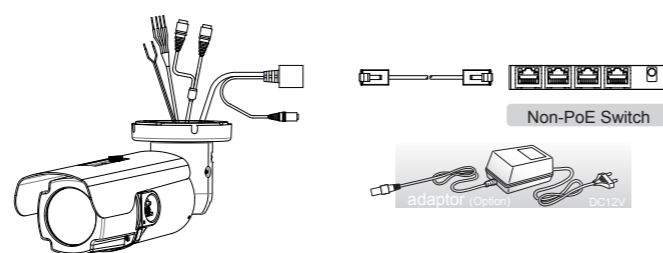
1 Using a PoE-Enabled Switch

The MEGApix Camera is PoE-compliant, allowing transmission of power and data via a single ethernet cable. Follow the illustrations below to connect the camera to a PoE-enabled switch using an ethernet cable.



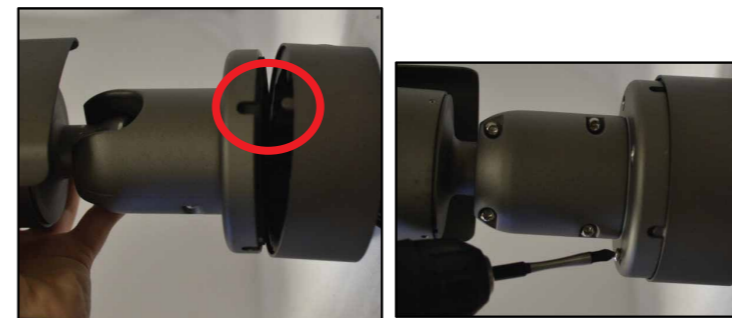
2 Using a Non-PoE Switch

If a PoE-enabled switch is not used, use a power adaptor to connect the MEGAPIX Camera to a Non-PoE switch.



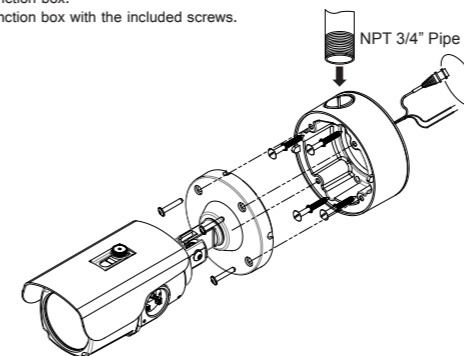
Mount the Camera

The MEGApix Camera is designed to be surface mounted on a wall or ceiling.



6 Using the mounting template or your own junction box, mark and drill the necessary holes.

Secure the junction box to a wall or ceiling. Align the camera with the junction box. Secure the camera to the junction box with the included screws.



Camera Specifications

IMAGE	
Image Sensor	1/2.8" Sony CMOS Sensor
Total Pixels	2016 (H) X 1108 (V)
Minimum Scene Illumination	F1.6 (30IRE): 0.5 Lux [Color] F1.6 (30IRE): 0.01 Lux [B&W]
LENS	
Focal Length	3.5-16mm Remote Auto Focus [MB421TIR] 6-50mm Remote Auto Focus [MB421TIR650]
Zoom	4x Digital Zoom, 4.5x Optical Zoom [MB421TIR] 4x Digital Zoom, 8x Optical Zoom [MB421TIR650]
Lens Type	Auto Focus
IR Distance	100ft Plange IR
Angle of View	Horizontal: 55.4 (wide) - 2.9 (tele)
AUDIO	
Compression and Sampling Rate	G.711 (8KHz)
Input / Output	1 Line In and 1 Line Out Mono
NETWORK	
LAN	802.3 Compliance 10/100 LAN
Video Compression Type	H.264, MPEG4, MJPEG (Super Fine-Low)
Resolution	1920X1080 (16:9) - 320X240 (4:3)
Frame Rate	Up to 30fps at All Resolutions
Streaming Capability	Dual-Stream at Different Rates and Resolutions
IP	IPv4, IPv6
Protocol	TCP/IP, HTTP, DHCP, PPPoE, iCMP, ARP, RARP, RTSP, NTP, UDP, Multicast
Maximum User Access	5 Users
ONVIF Conformance	Yes
Web Viewer	OS: Windows XP / Vista / 7, MAC OS Browser: Internet Explorer, Chrome, Firefox, Safari
Video Management Software	NxMS, DW Spectrum, Pivot
Memory Slot	24 hours recording to Micro SDHC Card (4GB-32GB) Card Not Included*
ENVIRONMENTAL	
Operating Temperature/ Humidity	-10°C - 50°C (14°F - 122°F)
Operating Humidity	Less than 90% (Non-Condensing)
Storage Temperature	-20°C - 70°C (-4°F - 158°F)
IP Rating	IP66/ IP68 (Protects against dust and high pressure water)
Other Certifications	CE, FCC, RoHS
ELECTRICAL	
Power Requirement	DC 12V, PoE (IEEE802.3af Class 3)
Power Consumption	7.5W, 600mA / LED ON 15.5W, 1200mA
MECHANICAL	
Material	Aluminum Housing
Dimensions	293.2 X 96.7 mm (11.5 X 3.8 in)
Weight	1.52 lbs

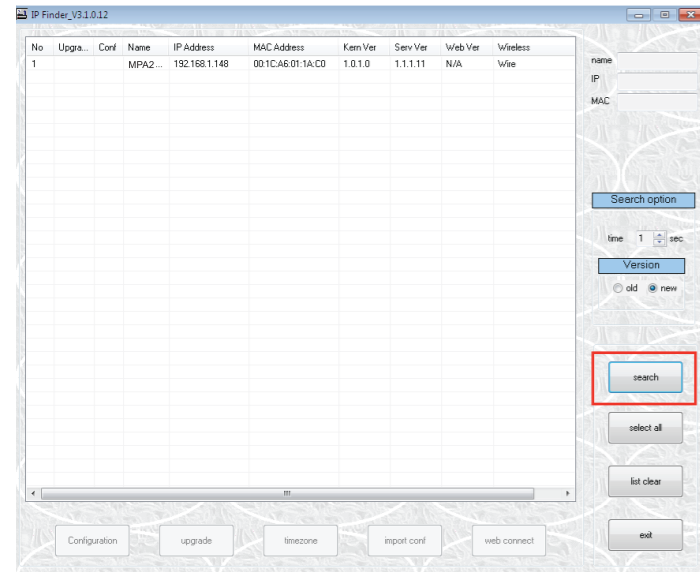
*Specification is subject to change without prior notice.

MEGAPIX CAMERA SETUP

Installing IP Finder

IP Finder searches for all the available network devices on your local area network.

- 1 Install IP Finder to find your MEGApix Camera on the local network. The IP Finder software can be found on the included User Manual CD. Run IP Finder and install onto your PC.
- 2 When setup is complete, launch the IP Finder software.
- 3 To find your MEGApix camera, click Search button.
- 4 Your MEGApix camera will appear as "DWC-MB421TIR" or "DWC-MB421TIR550."
- 5 To access the camera directly via Internet Explorer, select the desired device and click Web Connect. To change basic network settings through the IP Finder software, select the desired device and click Configuration. Then, proceed to pages 10-11 for information on setting up the camera on IP Finder.



Setting the Camera on IP Finder

Set the Camera for Internal Use

- If you wish to connect your MEGApix Camera internally from within the same network:
- 1 Find your MEGApix Camera on IP Finder software and click Configuration.
 - 2 Select an IP Configuration Mode - DHCP, PPPoE, or Static - that is available to you. Recommended Setting is DHCP.*
 - 3 If you wish to use DDNS, select the Use DDNS option. See page 10 for further information.
 - 4 When the setup is complete, select Apply.
 - 5 Then, select Reboot button. The rebooting process usually takes up to a minute.
 - 6 Select Exit.
 - 7 On the IP Finder window, select Search and confirm that your changes have been made.

Set the Camera for External Use

- If you wish to connect your MEGApix Camera to an external network, please use Static IP.
- 1 Find your MEGApix Camera on IP Finder software and click Configuration.
 - 2 Select Static IP Configuration Mode.
 - 3 If you wish to use DDNS, select the Use DDNS option. See page 10 for further information.
 - 4 When the setup is complete, select Apply.
 - 5 Then, select Reboot button. The rebooting process usually takes up to a minute.
 - 6 Select Exit.
 - 7 On the IP Finder window, select Search and confirm that your changes have been made.

Auto Zoom & Focus

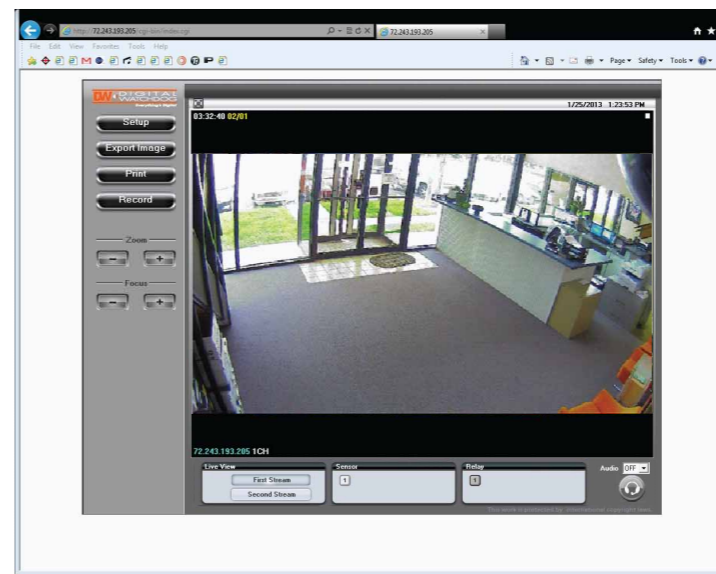
Use the Snapit MEGApix camera's remote web viewer to adjust the camera's zoom and focus automatically. Once the configuration is complete, the camera will automatically adjust its focus, zoom, light exposure and lens to match your settings.

- 1 ZOOM: Using the + and - buttons, adjust the camera's optical zoom.
 - 2 FOCUS: Using the + and - buttons, adjust the camera's focus.
- After setup, please allow the camera up to 30 seconds to complete readjusting itself to the new settings.



Accessing the Camera

Remote Video Monitoring



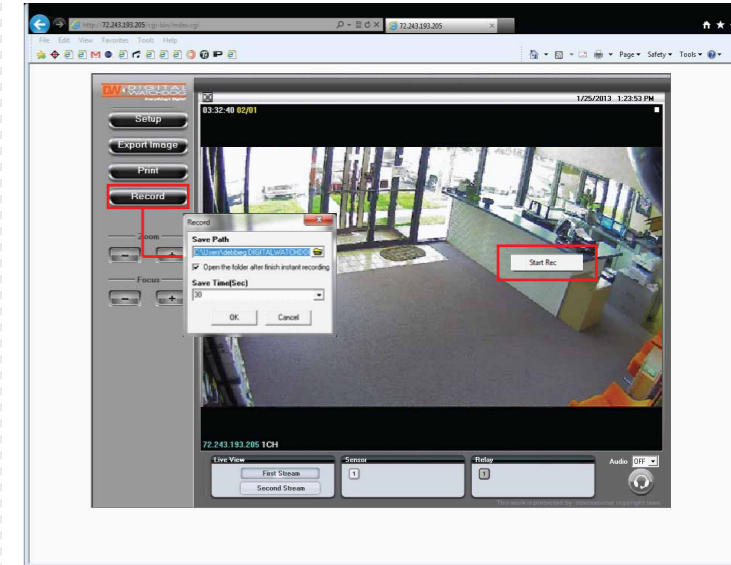
Monitor and configure the MEGApix camera through a built-in webviewer.

- 1 Enter the IP address of the camera on the Internet Explorer window. Example: <http://192.168.1.123> (Factory Default)
- 2 Enter Username and Password. Username: admin Password: admin
- 3 The web browser will ask to install Active-X Control. Once it has been installed, Internet Explorer will display video images from the camera.

The web viewer can also be accessed via Google Chrome, Firefox Mozilla and Safari if one of the streams is set to MJPEG.

Instant Recording

Instantly record live video to your local drive.



To Setup Instant Recording

Select the Record button. Indicate where you want the videos to be saved. Setup the duration of the instant recording. You can record up to 120 seconds of live video. When setup is complete, click OK to save changes or Cancel to cancel any changes.

To Start and Stop Instant Recording

To Start, right-click anywhere on the display screen. Select Start Rec. The icon on the top right of the screen will change to INSTANT. To Stop, right-click anywhere on the display screen. Select Stop Rec. The video will be displayed in the designated folder when recording is complete.

Setting the Camera on IP Finder

User can use the IP Finder software to setup the basic network settings.

- 1 DHCP: If DHCP is selected, an IP address will automatically be assigned to the camera. If your network does not support DHCP, a default IP address and subnet mask will automatically be assigned.
- 2 PPPoE: Select this option, when you use WAN service or a PPPoE-based internet service. To use PPPoE, you must contact your Internet Service Provider for a User ID and Password.*
- 3 Static IP: This option will assign a static (fixed) IP to your camera. A static IP address

will prevent the network from changing the camera's IP address and make it easier to access, especially when the camera is on a large network and accessed by multiple users.

To use static IP, you will need to contact your Internet Service Provider.*

- 4 Use DDNS: Check this option to use DDNS (Dynamic DNS). DDNS allows users to setup a unique URL for the IP camera.

To use DDNS, you must register for a DDNS ID from a DDNS Hosting Service.*

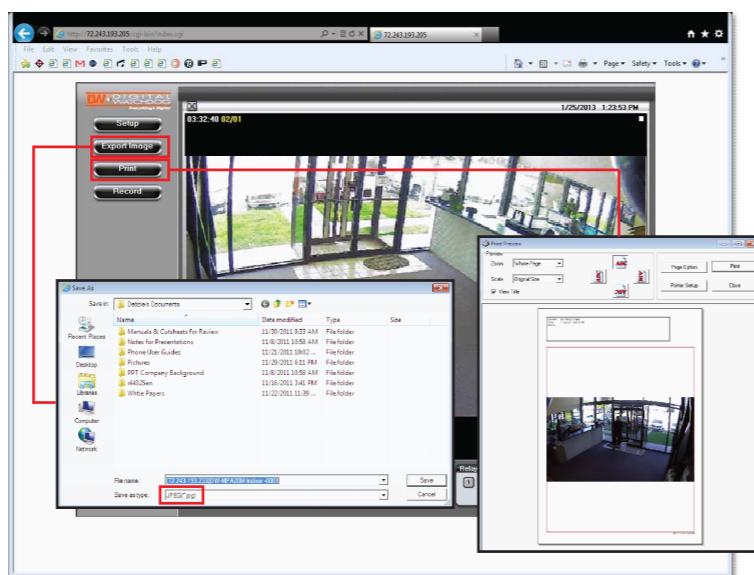
- 5 Port: This section displays all the port numbers that are required for remote communication.

Webviewer Specifications

Minimum Requirements for PC

CPU	Intel P4 2.0GHz Dual Core
RAM	More than 1GB
HDD	200GB Required for Saving Clip Image
OS	Microsoft Windows XP or Higher
Resolution	Higher than 1024X768

Export & Print



Select the Export Image button. A 'Save As' window will appear.

Select the folder you wish to Save in and type a File Name.

Click 'Save' and the screenshot will be saved.*

Select the Print button. The Print Preview window will appear.

Adjust the orientation of the screenshot: portrait or landscape, facing left, right, up, or down.

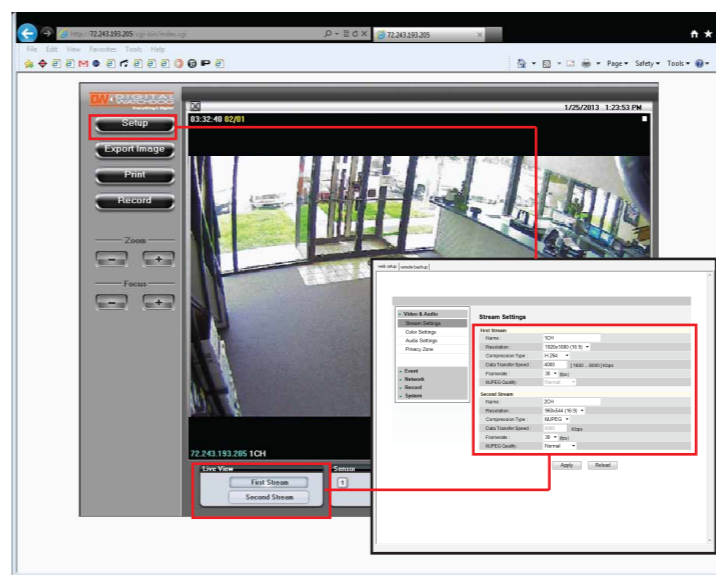
Zoom in on a portion of an image prior to printing or select the image's scale on the page:

To print information about the screenshot, select View Title.

To add a memo for the screenshot, select Page Option.

Go to Printer Setup to select the printer and manage printer properties.

First Stream & Second Stream



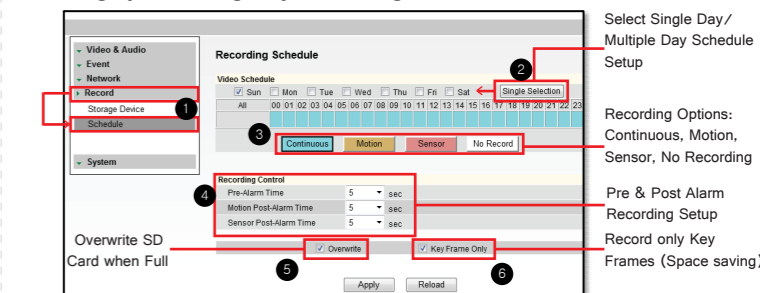
Configure two different stream settings (First Stream and Second Stream) for monitoring and recording. Second Stream is used to record on Motion Detection and the SD card local backup.

- 1 Click Setup to adjust the two available stream settings: First Stream and Second Stream. The two streams can differ in Resolution, Compression Type, Data Transfer Speed, and Framerate.
- 2 On the main monitoring page, user can view the camera with the First Stream settings or the Second Stream Settings. Below the display screen, click First Stream button to view the camera with the First Stream settings, and click Second Stream button to view the camera with the Second Stream settings.

SD Card Installation & Setup

The MEGAPIX cameras offer local backup in case of network loss.

Setting up an Emergency Recording Schedule:



Exporting Backup Data from the SD Card:

