

# MEGAPIX MPA20M

IP 2.0MP Armored Vandal Dome Camera

## Quick Setup Guide



## PREPARATION

The following items are included with the MEGAPIX camera

User Manual		CD (Manual & Software)	
Quick Start Guide		Mounting Template	
L-Wrench T10-M3		4 Screws 4 Dry Wall Anchors	

	<ol style="list-style-type: none"> <li>Camera Input Sensor</li> <li>Power Supply DC12V MAX 4.8W, 400mA MAX 5.7W, 475mA [IR]</li> <li>RJ45 Connector</li> </ol>
--	--

Thank you for purchasing Digital Watchdog's MEGAPIX Armored Vandal Dome Camera. Before installing the camera, please verify your model and read this guide carefully.

## INSTALLATION

### Prepare the Camera and Mounting Surface

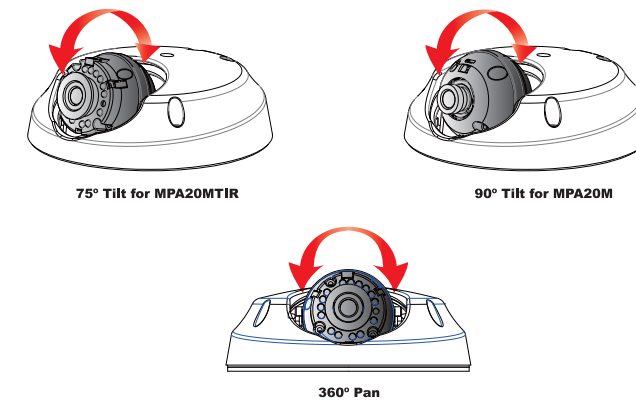
- Using the supplied T10-M3x15.0 Allen Key, loosen the four security screws. Carefully remove the dome cover.
- As shown in the diagram, the MEGAPIX camera comes with a safety wire attached. The safety wire will secure the dome to the camera module during the installation process.
- Use camera mounting template or your camera to mark the holes as required.
- Drill holes into the drywall and insert the drywall mounts.

## SPECIFICATIONS

### Lens Specifications

Lenses are pre-focused at the factory. In the unlikely event that the optical effect of the dome cover cause a slight defocusing of the lens, hold the dome cover over the lens to make a final adjustment.

- 1 Y-Axis: 90° Tilt for MPA20M  
75° Tilt for MPA20MTIR
- 2 X-Axis: 360° Pan



Over-rotating the lens will damage the camera lens module

### Recommended Settings

#### Camera Access from Internal Network

Set Camera to DHCP. Refer to page 10.

#### Camera Access from External Network

Set Camera to Static and DDNS. Refer to page 10.

#### Camera Color Settings

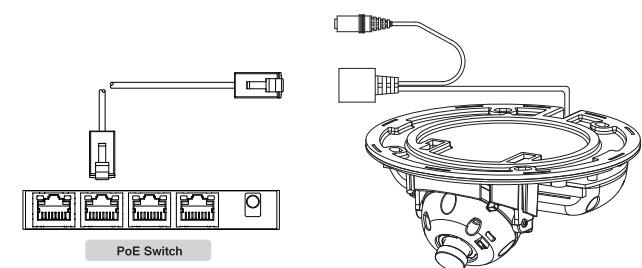
<b>White Balance</b>		
Mode	Auto	
<b>Auto Exposure</b>		
Brightness	11	
Shutter Mode	Auto	
Digital Slow Shutter	Off	
Shutter Speed	1/30	
AGC Gain	18	
BLC Mode	Off	
<b>Day &amp; Night</b>		
Mode	Auto	
Switching from Color to B/W	5	[ 0 ... 10, default 5 ]
Switching from B/W to Color	5	[ 0 ... 10, default 5 ]
<b>Extra Setting</b>		
Lens Mode	Indoor	
Chroma	8	
Sharpness	5	
Mirror	Off	
Flip	Off	
Digital Noise Reduction	Middle	

### Network Connection

There are two options.\*

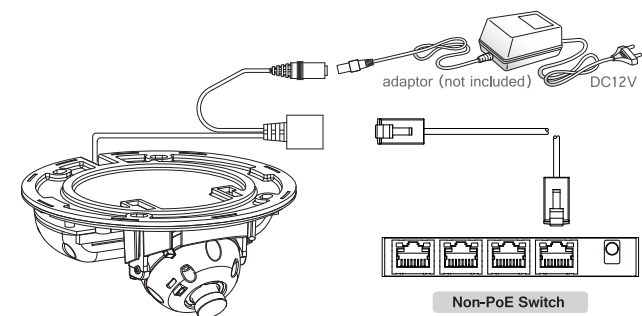
- Using a PoE-Enabled Switch

The MEGAPIX Camera is PoE-compliant, allowing transmission of power and data via a single ethernet cable. Follow the illustrations below to connect the camera to a PoE-enabled switch using an ethernet cable.



- Using a Non-PoE Switch

If a PoE-enabled switch is not used, use a power adaptor to connect the MEGAPIX Camera to a Non-PoE switch.



### Mount the Camera

The MEGAPIX Camera is designed to be surface mounted on a wall or ceiling.

- Pull wires through and make connections. Refer to "Network Connection" for further explanation.
- Mount the camera to the wall or ceiling using the screws provided with the camera.
- Adjust the camera's pan and tilt.
- Tighten the four locking screws.

### Webviewer Specifications

Minimum Requirements for PC

CPU	Intel P4 2.0GHz Dual Core
RAM	More than 1GB
HDD	200GB Required for Saving Clip Image
OS	Microsoft Windows XP or Higher
Resolution	Higher than 1024X768

### Camera Specifications

Model	MPA20M
Image Device	1/2.7" CMOS Sensor
Image Pixels - Total	2016(H) X 1108(V)
Color	F1.6, 30IRE: 0.8 Lux
Min. Scene Illumination	F1.6, 30IRE: 0.01 Lux
B/W	Available
3D-DNR	Available
Privacy Zone	Available
Day/Night	Auto, Color, B/W
Color	1920(H) X 1080(V)
Resolutions	1920(H) X 1080(V)
B/W	1920(H) X 1080(V)
Focal Length	4.0mm Fixed
Video Main Monitor	LVDS Out (16 BIT Y, Cb, Cr Digital, BT-1120)
Sub Monitor	CVBS Analog
Compression Type	H.264, MPEG4, MJPEG
Frame Rate	30fps at All Resolutions
LAN	802.3 Compliance 10/100 LAN
Network Protocol	TCP/IP, HTTP, DHCP, PPPoE, ICMP, ARP, RARP, RTSP, NTP, UDP
PoE	802.3af Compliance
Streaming	Dual-Stream at Different Rates and Resolutions
Port & I/O	RS232 Configuration, Configuration Clear Switch
Power Requirement	DC12V, PoE
Consumption	4.8W, 400mA
Environmental Conditions	Operating Temperature: -10°C ~ 55°C (14°F ~ 131°F) Storage Temperature: -20°C ~ 70°C (-4°F ~ 158°F) Operating Humidity: Under 90% (Non-Condensing)
Physical Specifications	Dimensions: 120 X 55.7 mm, 4.72 X 2.19 in Weight: 0.65 lb Certifications: CE, FCC, RoHS, IP66

# MEGAPIX CAMERA SETUP

## Installing IP Finder

IP Finder searches for all the available network devices on your local area network.

- 1 Install IP Finder to find the MEGAPIX Camera on the local network. The IP Finder software can be found on the included User Manual CD. Run IP Finder and install onto your PC.
- 2 When setup is complete, launch the IP Finder software.
- 3 To find your MEGAPIX camera, click Search button.
- 4 Your MEGAPIX camera will appear as "MPA20M."
- 5 To access the camera directly via Internet Explorer, select the desired device and click Web Connect. To change basic network settings through the IP Finder software, select the desired device and click Configuration. Then, proceed to pages 10-11 for information on setting up the camera on IP Finder.



## Setting the Camera on IP Finder

### Set the Camera for Internal Use

- If you wish to connect your MEGAPIX Camera internally from within the same network:
- 1 Find your MEGAPIX Camera on IP Finder software and click Configuration.
  - 2 Select an IP Configuration Mode - DHCP, PPPoE, or Static - that is available to you. Recommended Setting is DHCP.\*
  - 3 If you wish to use DDNS, select the Use DDNS option. See page 10 for further information.
  - 4 When the setup is complete, select Apply.
  - 5 Then, select Reboot button. The rebooting process usually takes up to a minute.
  - 6 Select Exit.
  - 7 On the IP Finder window, select Search and confirm that your changes have been made.

### Set the Camera for External Use

- If you wish to connect your MEGAPIX Camera to an external network, please use Static IP.
- 1 Find your MEGAPIX Camera on IP Finder software and click Configuration.
  - 2 Select Static IP Configuration Mode.
  - 3 If you wish to use DDNS, select the Use DDNS option. See page 10 for further information.
  - 4 When the setup is complete, select Apply.
  - 5 Then, select Reboot button. The rebooting process usually takes up to a minute.
  - 6 Select Exit.
  - 7 On the IP Finder window, select Search and confirm that your changes have been made.

9

11

## Accessing the Camera

### Remote Video Monitoring



Monitor and configure the MEGAPIX camera through a built-in webviewer.

- 1 Enter the IP address of the camera on the Internet Explorer window. Example: <http://192.168.1.123> (Factory Default)
- 2 Enter Username and Password.  
Username: admin  
Password: admin
- 3 The web browser will ask to install Active-X Control. Once it has been installed, Internet Explorer will display video images from the camera.

13

## Export Live Video Image



Export a screenshot of the current live video to your computer.

- 1 Click Export Image button located on the left. Save As window will appear.
- 2 Select the location on your computer you wish to Save In and type in a File Name.
- 3 Click Save button and the screenshot will be saved.

15

## Setting the Camera on IP Finder

User can use the IP Finder software to setup the basic network settings.



- 1 DHCP: If DHCP is selected, an IP address will automatically be assigned to the camera. If your network does not support DHCP, a default IP address and subnet mask will automatically be assigned.
- 2 PPPoE: Select this option, when you use WAN service or a PPPoE-based internet service. To use PPPoE, you must contact your Internet Service Provider for a User ID and Password.\*
- 3 Static IP: This option will assign a static (fixed) IP to your camera. A static IP address

will prevent the network from changing the camera's IP address and make it easier to access, especially when the camera is on a large network and accessed by multiple users.

To use static IP, you will need to contact your Internet Service Provider.\*

- 4 Use DDNS: Check this option to use DDNS (Dynamic DNS). DDNS allows users to setup a unique URL for the IP camera.

To use DDNS, you must register for a DDNS ID from a DDNS Hosting Service.\*

- 5 Port: This section displays all the port numbers that are required for remote communication.

## Resetting the Camera

SW5 [Camera Reboot]



Reboot the system and the camera will start immediately.

SW4 [Factory Default]

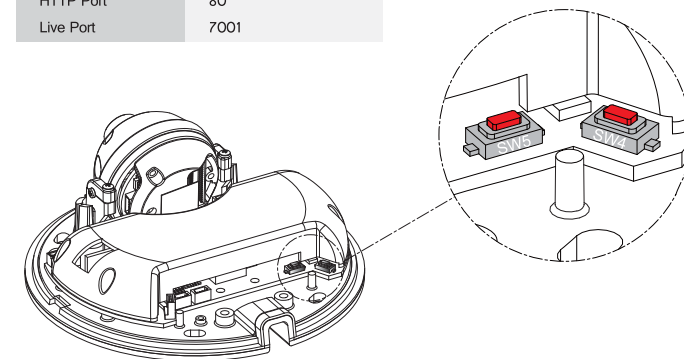


Pressing SW5 while holding down SW4 will initialize all environmental variables to factory default. Previous setup for IP default, time, etcetera will be deleted.

If a system IP address is lost, reset the camera back to factory default.

The following are the default network settings:

IP Mode	DHCP
IP Address	192.168.1.123
Subnet Mask	255.255.255.0
Gateway	192.168.1.123
Command Port	7000
HTTP Port	80
Live Port	7001



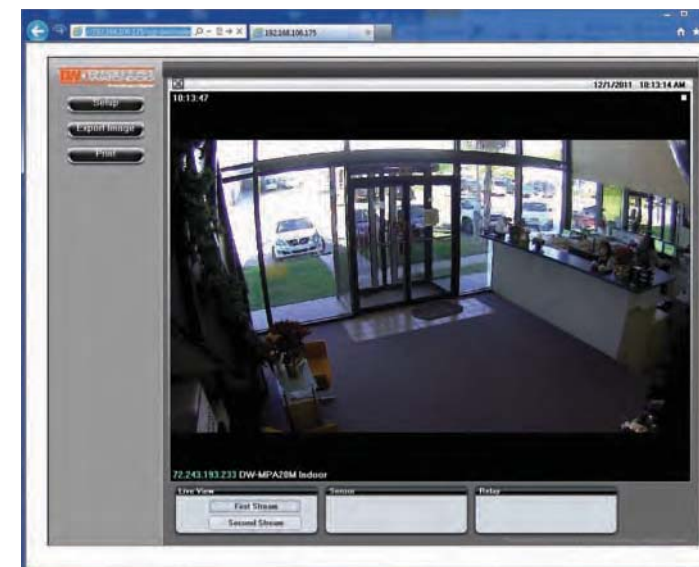
Frequent use may cause a System Error



10

12

## First Stream & Second Stream

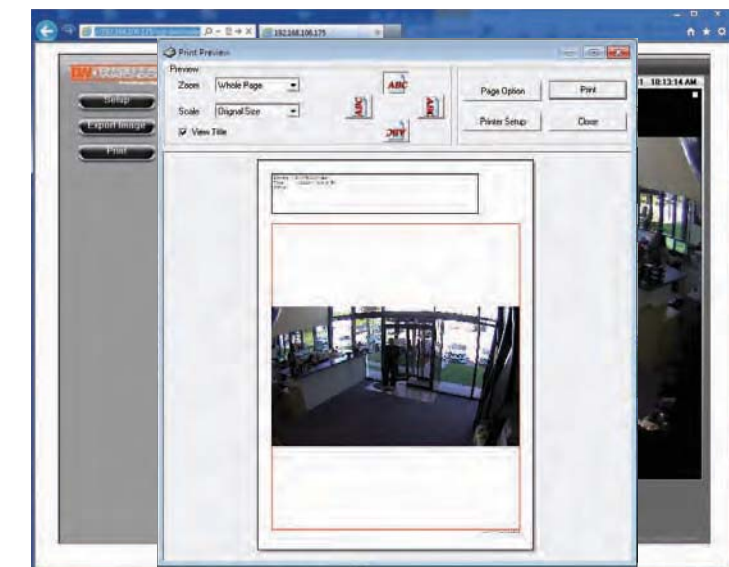


Configure two different stream settings (First Stream and Second Stream) for monitoring and recording. Second Stream is used to record on Motion Detection.

- 1 Click Setup to adjust the two available stream settings: First Stream and Second Stream. The two streams can differ in Resolution, Compression Type, Data Transfer Speed, and Framerate.
- 2 On the main monitoring page, user can view the camera with the First Stream settings or the Second Stream Settings. Below the display screen, click First Stream button to view the camera with the First Stream settings, and click Second Stream button to view the camera with the Second Stream settings.

14

## Print Live Video Image



Print a screenshot of the current live video.

- 1 Click Print button, and the Print Preview window will appear.
- 2 Scale the size of the screenshot or adjust the orientation of the screenshot.
- 3 To print information about the screenshot, select View Title. To add a memo for the screenshot, click Page Option.
- 4 Go to Printer Setup to select the printer and manage the printer properties.
- 5 Select Print to print the page, or Close to cancel the print.

16