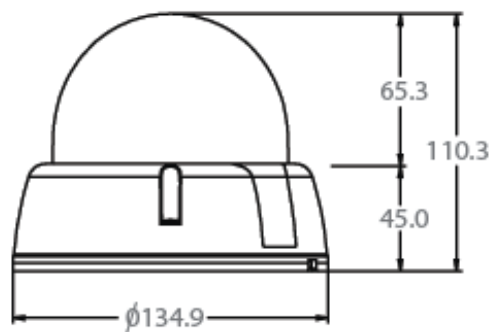


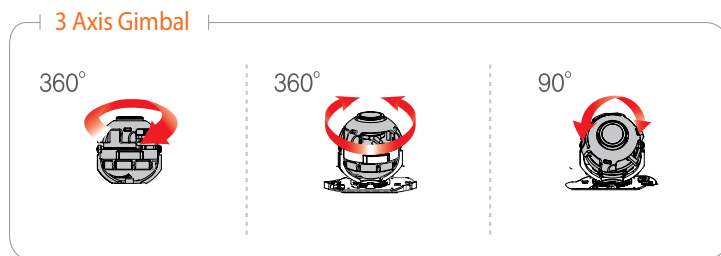


Dimensions



Summary

Our Star-Light Series offers super low light imaging for any application. Along with 3D-DNR, our Star-Light technology offers a Digital Slow Shutter feature that increases the length of time the shutter remains open to collect additional ambient light, illuminating typically dark environments.



Features

- 1/3" Sony Super HAD II CCD
- 560 TV Lines
- 3.3~12mm Varifocal Auto Iris Lens
- Electronic Day and Night
- Star-Light (Super Low Light Technology)
- 3D-DNR (3D Digital Noise Reduction)
- DRC (Dynamic Range Compressor)
- HME (Highlight Masking Exposure)
- DSS (Digital Slow Shutter)
- AGC (Auto Gain Control)
- BLC (Back Light Compensation)
- AWB (Auto White Balance)
- Negative Imaging
- Mirror Image Control
- Programmable Privacy Zone (8) & Motion Detection
- Easy Icon Driven OSD Menu with Built-in Joystick
- Auto Sensing 24 VAC / 12 VDC with Line Lock
- Secondary Video-BNC Output

Specifications

Model	DWC-D2363D
Image Sensor	1/3" Super II HAD CCD
Pixels-Total	811 (H) X 508 (V)
Pixels-Effective	768 (H) x 494 (V)
Minimum Illumination	F1.2: 0.14 Lux [Color], 0.03 Lux [B/W]
Horizontal Resolution	560 TV Lines (COLOR)
	580 TV Lines (BW)
Power Requirement	DC12V / AC24V
Power Consumption	DC12V: 2.0W, 166.7mA / AC24V: 2.2W, 91.7mA
Lens	3.3 ~ 12mm Varifocal Auto Iris Lens
Scan System	525 Line, 2:1 Interlace, Internal / Line Lock Mode
S/N Ratio	52dB
Weight	0.6 lbs
Operating Temperature	-10°C ~ +55 °C (14 °F ~ 131 °F)
Operating Humidity	Less than 90%
Certifications	CE, FCC, RoHS

(*) Specification is subject to change without prior notice.

