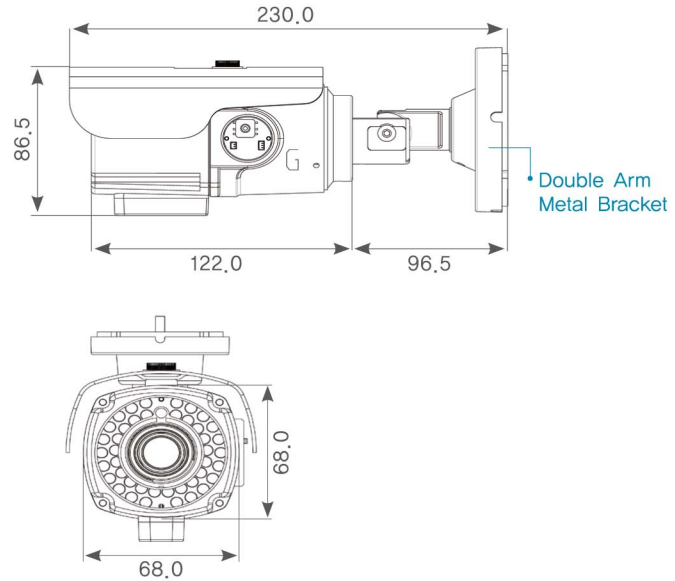


# DWC-LPR650



## Dimensions



## Summary

The LPR has been engineered to deliver the best performance in capturing license plates in any extreme light conditions. Its Plate Recognition Technology guarantees consistent, reliable plate capture both day and night. The 6 to 50mm varifocal auto iris lens provides unquestionable 600 TVL images from a range of 13 to 30 feet. The LPR also comes with the HME technology to mask overly bright lights that prevent the camera from capturing clear images of the license plates.

## Features

- 1/3" Sony Super II HAD CCD
- 600 TV Lines
- 6~50mm Varifocal Auto Iris Lens
- 13~30ft Capture Range
- Easy Icon Driven OSD Menu with Built-in Joystick
- Plate Recognition Technology Captures License Plates up to 50mph
- Reliable Performance under Any Lighting Conditions
- Star-Light (Super Low Light Technology)
- DRC (Dynamic Range Compressor)
- HME (Highlight Masking Exposure)
- Negative Imaging
- Secondary Video-BNC Output for Easy Installation
- Auto Sensing 24 VAC/12 VDC with Line Lock
- AGC (Auto Gain Control)
- BLC (Back Light Compensation)
- AWB (Auto White Balance)
- Mirror Image Control (H/V)
- Programmable Privacy Zone (6)
- No Fog or Condensation under Any Weather Condition

## Specifications

	Model	DWC-LPR650
Camera Type	BW	Digital Bullet IR Camera
Image	Device	Super HAD II CCD
	Size	1/3"
	Pixels - Total	NTSC: 811 (H) x 508 (V)
	Pixels - Effective	NTSC: 768 (H) x 494 (V)
Scanning	System	525 Lines, 2:1 Interlace
	Horizontal Frequency Internal Mode	15.734 Hz
	Vertical Frequency Internal Mode	59.94 Hz
Min. Scene Illumination	IR-LED On	0 Lux
	42 IR	Adjustable IR LED Brightness
Functions	AGC	Adjustable
	Shutter Speed	Adjustable
	Lens	Focal Length
Resolution	Horizontal Frequency Internal Mode	600 TV Lines
Video Output	VPS 1.0 Vp-p	VBS 1.0 Vp-p (75 Load)
S/N Ratio	S/N Ratio	52 dB
Environmental Conditions	Operating Temperature	-10°C ~ +55°C (14°F ~ 131°F)
	Humidity	Less than 90%
Power	Power Requirement	12VDC / 24VAC
	Power Consumption	165mA / 360mA 4.9 W / 4.95 W
Physical Specification	Dimensions	85.4 x 231.5mm / 3.36 x 9.11 in
	Nema Type	IP66
	Weight	2.2 lbs
Certifications	Certified	CE, FCC, RoHS

(\*) Specification is subject to change without prior notice.

