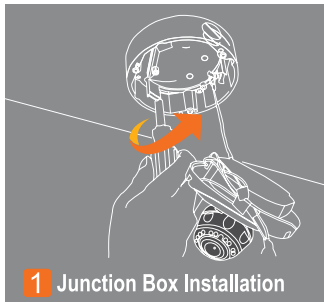




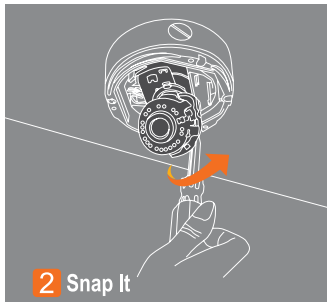
It's quick. It's easy!

Snapit

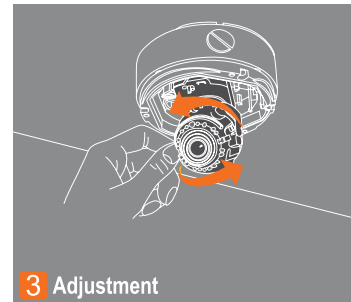
Easy Installation 1 2 3 4



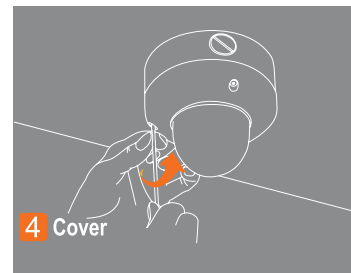
1 Junction Box Installation



2 Snap It



3 Adjustment



4 Cover

Vandal Dome Camera V4363DH

IP68 Weather Proof Rated





STAR-LIGHT™

New ICON Driven OSD Menu

ICON Type Menu will easily guide you through programming options. Simple and fast programming.



HME (Highlight Masking Exposure)

Masks overly exposed light to produce a true video image of any environment.



3D-DNR (Digital Noise Reduction)

Produces less noise and more color at night. An excellent choice.



DRC (Dynamic Range Compressor)

With the advanced light compensation technology DRC, dark spots in images particularly become more visible without overexposing the bright spots to create one perfect image.



DSS (Digital Slow Shutter)

Along with 3D-DNR, Digital Slow Shutter Technology is the primary technology we employ in our Star-Light functioning cameras.



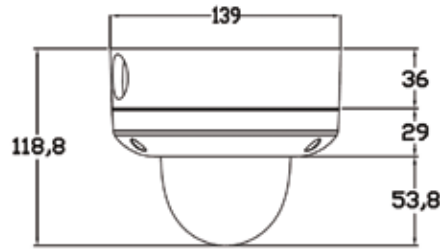
Programmable Privacy Zone

When privacy is a concern, monitoring can be masked in certain zones within the scene. The user can define up to 6 rectangular exclusions.





Dimensions



Summary

Our new simple to install housing series combined with our reliable camera technology series gives you a high quality camera in just a few minutes. All Snapit housings include both a built-in UTP and RS-485. Our Snapit vandal dome cameras have a built-in junction box and is IP68 certified. Submerge the camera in water, and it will still work properly!

Our Snapit Vandal Dome V4363DH is powered by our Star-Light technology, which offers super low light imaging for any application. The camera has been designed with a built-in heater, allowing it to withstand temperatures as low as -40 degrees.

Features

- 1/3" Sony Super HAD II CCD
- 560 TV Lines
- 3.3~12mm Varifocal Auto Iris Lens
- Electronic Day and Night
- Star-Light (Super Low Light Technology)
- 3D-DNR (3D Digital Noise Reduction)
- DRC (Dynamic Range Compressor)
- HME (Highlight Masking Exposure)
- AGC (Auto Gain Control)
- BLC (Back Light Compensation)
- AWB (Auto White Balance)
- Negative Imaging
- Mirror Image Control
- UTP / RS485 Built-in
- Junction Box Built-in
- Programmable Privacy Zone (8) & Motion Detection
- Easy Icon Driven OSD Menu with Built-in Joystick
- Auto Sensing 24 VAC / 12 VDC with Line Lock
- Secondary Video-BNC Output
- Heater Built-in, Withstand Temperatures as Low as -40 Degrees
- IP68 Certified
- CE, FCC, RoHS Certified

3 Axis Gimbal



Popular Accessories

- DWC-FMSNAP Flush Mount for Snapit Vandal Dome
- DWC-V1CM Pendant Mount Bracket
- DWC-V1WM Wall Mount Bracket

Specifications

Model	DWC-V4363DH
Image Sensor	1/3" Super II HAD CCD
Pixels-Total	811 (H) X 508 (V)
Pixels-Effective	768 (H) x 494 (V)
Minimum Illumination	0.14Lux (F1.2, 30IRE-COLOR)
Horizontal Resolution	560 TV Lines (COLOR)
	580 TV Lines (BW)
Power Requirement	DC12V / AC24V
Power Consumption	DC12V: 2.3W, 191.7mA / AC24V: 2.5W, 104mA
	DC12V: 6.0W, 500mA / AC24V: 6.0W, 250mA HEATER ON
Shutter Speed	1/60s ~ 1/100000s
S/N Ratio	52dB
Gamma	0.45
Sync System	Internal / Line Lock
Operation Temperature	-40°C ~ +55 °C (-40 °F ~ 131 °F)
Storage Temperature	-20°C ~ +70 °C (-4 °F ~ 158 °F)
Operation Humidity	Under 90% (Non-Condensing)

(*) Specification is subject to change without prior notice.

