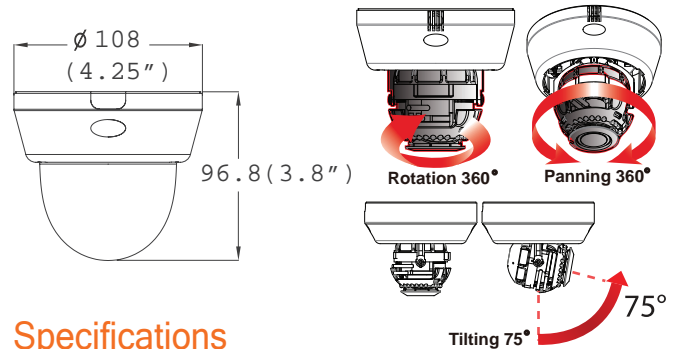




Dimensions (unit : mm)

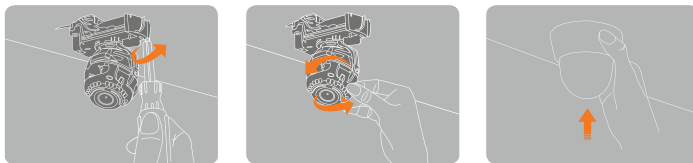


Specifications

IMAGE	
Image Sensor	1/2.8" CMOS Sensor (7% Larger Than 1/3" CMOS Sensor)
Total Pixels	2016 (H) X 1108 (V)
Minimum Scene Illumination	F1.6 (30IRE): 0.5 Lux [Color] F1.6 (30IRE): 0.0 Lux [B&W]
LENS	
Focal Length	3.0-10.5mm
Lens Type	Auto Focus
IR Distance	70ft Range
Digital Zoom / Optical Zoom	8X / 3X
OPERATIONAL	
Brightness	0-19
Shutter Mode	Auto, Manual
Digital Slow Shutter	Off, 2X, 3X, 4X
Shutter Speed	1/30, 1/60, 1/120
Auto Gain Control	0-20
Back Light Compensation	Off, On
Day and Night	Auto, Day (Color), Night (B/W)
Lens Mode	Manual, DC, AF
Chroma (Hue & Saturation Settings)	0-20
Sharpness	0-10
Mirror & Flip	Off, On
3D-Digital Noise Reduction	Off, Low, Middle, High
Privacy Zone	Off, On (30 Programmable Zones)
Motion Detection: Sensitivity	Low, Middle, High
Alarm Notifications	Notifications Via E-mail
NETWORK	
LAN	802.3 Compliance 10/100 LAN
Video Compression Type	H.264, MPEG4, MJPEG (Super Fine-Low)
Resolution	1920X1080 (16:9) - 320X240 (4:3)
Frame Rate	Up to 30fps at All Resolutions
Streaming Capability	Dual-Stream at Different Rates and Resolutions
IP	IPv4, IPv6
Protocol	TCP/IP, HTTP, DHCP, PPPoE, ICMP, ARP, RARP, RTSP, NTP, UDP, Multicast
Maximum User Access	20 Users
ONVIF Conformance	Yes
Web Viewer	OS: Windows XP / Vista / 7, MAC OS Browser: Internet Explorer, Chrome, Firefox, Safari
Video Management Software	NxMS, Pivot
Memory Slot	Up to 24 Hour to Micro SDHC Card (4GB-32GB) Card Not Included*
ENVIRONMENTAL	
Operating Temperature/ Humidity	-10°C ~ 55°C (14°F ~ 131°F)
Operating Humidity	Less than 90% (Non-Condensing)
Storage Temperature	-20°C ~ 70°C (-4°F ~ 158°F)
Other Certifications	CE, FCC, RoHS
ELECTRICAL	
Power Requirement	DC 12V, PoE (IEEE802.3af Class 3)
Power Consumption	7.2W, 600mA / LED ON 8.64W, 720mA
MECHANICAL	
Material	Plastic
Dimensions	108 X 96.8 mm (4.25 X 3.8 in)
Weight	0.529 lbs

*Specification is subject to change without prior notice.

Snapit Easy Installation 1 2 3



1 Two Screw Installation 2 Adjustment 3 Snap It

Summary

The MD421TIRB MEGAPIX camera is a triple codec network camera that provides 1080P megapixel resolution at 30 frames per second. The camera's advanced technologies like True Day and Night, 3D-DNR, and Double Shutter WDR will deliver the best images in any type of environment. And Power over Ethernet combined with our Snapit Housing, branded for its quick and easy installation procedure, allows you to view and control your MEGAPIX camera from anywhere in the world in just a few minutes.

Features

- ONVIF Compliant
- 2.1 Megapixels (1080P, 30fps)
- Triple Codecs (H.264, MJPEG, MPEG4) with Dual-Stream
- 1/2.8" CMOS Sensor (7% Larger Than 1/3" CMOS Sensor)
- 3.0~10.5mm Auto Focus Lens
- 8X Digital Zoom, 3X Optical Zoom
- TDN (True Day and Night/TDN5)
- 70ft Range IR with Intelligent Camera Sync
- Power over Ethernet [PoE] & DC12V
- Two-Way Audio
- Local SDHC Card Remote Backup
- Web Server Built-in
- Double Shutter WDR (Wide Dynamic Range)
- 3D-DNR (3D Digital Noise Reduction)
- Programmable Privacy Zones (30) & Motion Detection
- Black Housing

Accessories (Optional)



DWC-D1WM

Wall Mount for D1 & D4 Housing