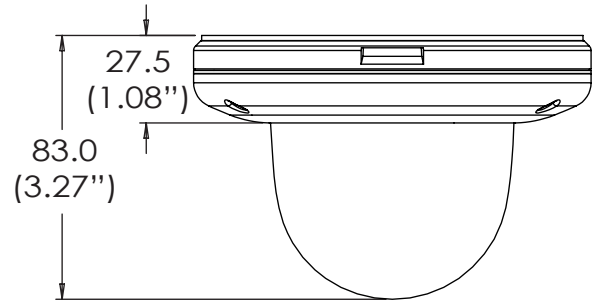




Dimensions (unit : mm)



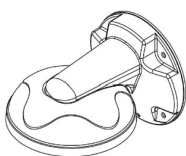
Summary

The MPTZ5X MEGAPIX camera is a triple codec Pan, Tilt, Zoom network camera that provides 1080P megapixel resolution at 30 frames per second. The camera's advanced technologies such as True Day and Night, 3D-DNR, and WDR will deliver the best images in any type of environment. The camera's powerful 5~25mm Lens offers instant 5X Optical zoom controlled from the camera's web-viewer without the need for additional cabling. And Power over Ethernet and Micro SD card slot allow you to view and control your MEGAPIX camera anywhere in the world just minutes.

Features

- ONVIF Compliant, Profile S
- 2.1 Megapixels, 30fps at All Resolution
- Triple Codec, Simultaneous Dual-Stream
- 1/2.8" CMOS Sensor
- 5~25mm Zoom Lens
- 5X Optical Zoom with Auto Focus
- 12X Digital Zoom
- Auto Day and Night with IR Cut Filter
- Pan 0~350° Endless, 120° Per Second Pan Speed
- Vector Drive Technology [Pan/Tilt Motion in Shortest Path]
- 255 Preset Positions, 4 Sequences, 8 Swings, 8 Tours
- WDR [Wide Dynamic Range]
- 3D-DNR [3D Digital Noise Reduction]
- Motion Detection with E-mail Notifications
- Micro SD/SDHC Class 10 Card for Emergency Backup (Not Included)
- IP66 Certified [Weatherproof]
- Power Over Ethernet [PoE] & DC12V

Accessories (Optional)



DWC-VFZWM

Wall Mont for VF and PTZ5x Models

Specifications

IMAGE	
Image Sensor	1/2.8" CMOS Sensor
Effective Pixels	1920 (H) x 1080 (V)
Minimum Scene Illumination	F3.5 (50IRE): 4.6 Lux [Color, AGC Off] F3.5 (50IRE): 1.5 Lux [B&W, AGC Off]
LENS	
Focal Length	5~25mm, F3.5 ~ F3.7
Lens Type	Zoom Lens
Digital Zoom / Optical Zoom	12X / 5X
Horizontal Angle	49.2° (W) ~ 10.52° (T)
OPERATIONAL	
Brightness	0~20
Shutter Mode	Auto, Manual
Digital Slow Shutter	Off, up to 8x
DNR (Digital Noise Reduction)	Off/ Level1/ Level2/ Level3
Auto Gain Control	Max 41dB
BLC (Back Light Compensation)	Off, On
WDR (Wide Dynamic Range)	Low, Mid, High
Sharpness	0~10
Mirror & Flip	Off, On
Alarm Notifications	Notifications Via E-mail
Pan Tilt Zoom	
Range	350° Pan, 90° Tilt
Preset	255
Sequence	4
Swing	8, 8.1°~120°/Sec
Tour	8 (Max 20 Entire Per Tour)
Speed	Preset : 120°/ sec, Manual : MAX 120°/sec
NETWORK	
Interface	802.3 Compliance 10/100 LAN
Video Compression Type	H.264, MPEG4, MJPEG (Super Fine ~ Low)
Resolution	1920X1080 (16:9) ~ 320X240 (4:3)
Frame Rate	Up to 30fps at All Resolutions
Protocol	IPv4, IPv6, TCP/IP, HTTP, DHCP, PPPoE, ICMP, ARP, RARP, RTSP, NTP, UDP, Multicast, UPNP,SNMP,RTSP,FTP
Maximum User Access	5 Users
ONVIF Conformance	Yes
Web Viewer	OS: Windows XP / Vista / 7, MAC OS Browser: Internet Explorer, Chrome, Firefox, Safari
Video Management Software	DW Spectrum
Memory Slot	24 hours recording to Micro SDHC Card (32GB Recommended) Card Not Included*
ENVIRONMENTAL	
Operating Temperature/ Humidity	-10°C ~ 50°C (14°F ~ 122°F)
Operating Humidity	Less than 90% (Non-Condensing)
IP Rating	IP66 (Protects against dust and high pressure water)
Other Certifications	CE, FCC, RoHS
ELECTRICAL	
Power Requirement	DC12V, PoE (IEEE802.3af Class 3), Max 700mA
Power Consumption	PTZ Idle: 5W, 430mA/ PTZ in Action: 8W, 670mA
MECHANICAL	
Material	Aluminum Housing
Dimensions	125 x 83 mm, 4.9 x 3.26 in
Weight	1.12 lbs

*Specification is subject to change without prior notice.