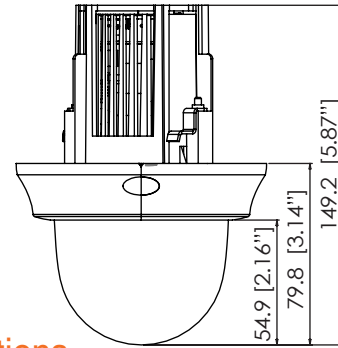




(Ceiling/Flush Mount)



Dimensions (unit : mm)



Specifications

| | |
|---------------------------------|---|
| IMAGE | |
| Image Sensor | 1/2.8" CMOS Sensor |
| Effective Pixels | 1920 (H) x 1080 (V) |
| Minimum Scene Illumination | F3.5 (50IRE): 0.1 Lux [Color] F3.5 (50IRE): 0.01 Lux [B&W] |
| LENS | |
| Focal Length | 5~25mm, F3.5 ~ F3.7 |
| Lens Type | Auto Focus |
| Digital Zoom / Optical Zoom | 12X / 5X |
| Horizontal Angle | 49.2° (W) ~ 10.52° (T) |
| Sensor In/ Out | 1 In/ 1 Out |
| Audio | |
| Compression and Sampling Rate | G.711 (8KHz) |
| Input / Output | 1 Line In and 1 Line Out Mono |
| OPERATIONAL | |
| Brightness | 0~20 |
| Shutter Mode | Auto, Manual |
| Digital Slow Shutter | Off, up to 8x |
| DNR (Digital Noise Reduction) | Off/ Level1/ Level2/ Level3 |
| Auto Gain Control | Max 41dB |
| BLC (Back Light Compensation) | Off, On |
| WDR (Wide Dynamic Range) | Off, On |
| Sharpness | 0~10 |
| Mirror & Flip | Off, On |
| Alarm Notifications | Notifications Via E-mail |
| Pan Tilt Zoom | |
| Range | 350° Pan, 90° Tilt |
| Preset | 255 |
| Sequence | 4 (Approximately 5 Minutes for Each Sequence) |
| Swing | 8, 1.4°~180°/Sec |
| Tour | 8 (Max 20 Entries Per Tour) |
| Speed | Preset : 120°/ sec, Manual : MAX 120°/sec |
| NETWORK | |
| Interface | 802.3 Compliance 10/100 LAN |
| Video Compression Type | H.264, MPEG4, MJPEG (Super Fine ~ Low) |
| Resolution | 1920X1080 (16:9) ~ 320X240 (4:3) |
| Frame Rate | Up to 30fps at All Resolutions |
| Protocol | IPv4, IPv6, TCP/IP, HTTP, DHCP, PPPoE, ICMP, ARP, RARP, RTSP, NTP, UDP, Multicast, UPNP,SNMP,RTSP/RTS,FTP |
| Maximum User Access | 5 Users |
| ONVIF Conformance | Yes |
| Web Viewer | OS: Windows XP / Vista / 7, MAC OS Browser: Internet Explorer, Chrome, Firefox, Safari |
| Video Management Software | DW Spectrum |
| Memory Slot | 24 hours recording to Micro SDHC Card (4GB-32GB) Card Not Included* |
| ENVIRONMENTAL | |
| Operating Temperature/ Humidity | -10°C ~ 55°C (14°F ~ 131°F) |
| Operating Humidity | Less than 90% (Non-Condensing) |
| Other Certifications | CE, FCC, RoHS |
| ELECTRICAL | |
| Power Requirement | DC12V, PoE (IEEE802.3af Class 3), Max 700mA |
| Power Consumption | PTZ Idle: 5W, 430mA/ PTZ in Action: 8W, 670mA |
| MECHANICAL | |
| Material | Polycarbonate |
| Dimensions | 110 x 149.2 mm, 4.33 X 5.87 in |
| Weight | 0.8 lbs |

*Specification is subject to change without prior notice.

Summary

The MPTZ5XFM MEGAPIX camera is a triple codec Pan, Tilt, Zoom network camera that provides 1080P megapixel resolution at 30 frames per second. The camera's advanced technologies such as True Day and Night, 3D-DNR, and WDR will deliver the best images in any type of environment. The camera's powerful 5~50mm Lens offers instant 5x Optical zoom controlled from the camera's web-viewer without the need for additional cabling. And Power over Ethernet and Micro SD card slot allow you to view and control your MEGAPIX camera anywhere in the world in just minutes.

Features

- ONVIF Compliant, Profile S
- 2.1 Megapixels, 30fps at All Resolution
- Triple Codec, Simultaneous Dual-Stream
- 1/2.8" CMOS Sensor
- 5~25mm Varifocal Auto Iris Lens
- 5X Optical Zoom with Auto Focus
- 12X Digital Zoom
- Auto Day and Night with IR Cut Filter
- Pan 0~350° Endless, 360° Per Second Pan Speed
- Vector Drive Technology [Pan/Tilt Motion in Shortest Path]
- Two-Way Audio
- 1 Sensor Inputs, 1 Sensor Output
- 255 Preset Positions, 4 Sequences, 8 Swings, 8 Tours
- WDR [Wide Dynamic Range]
- 3D-DNR [3D Digital Noise Reduction]
- Motion Detection with E-mail Notifications
- Micro SD/SDHC Class 10 Card for Emergency Backup [Not Included]
- Power Over Ethernet [PoE] & DC12V